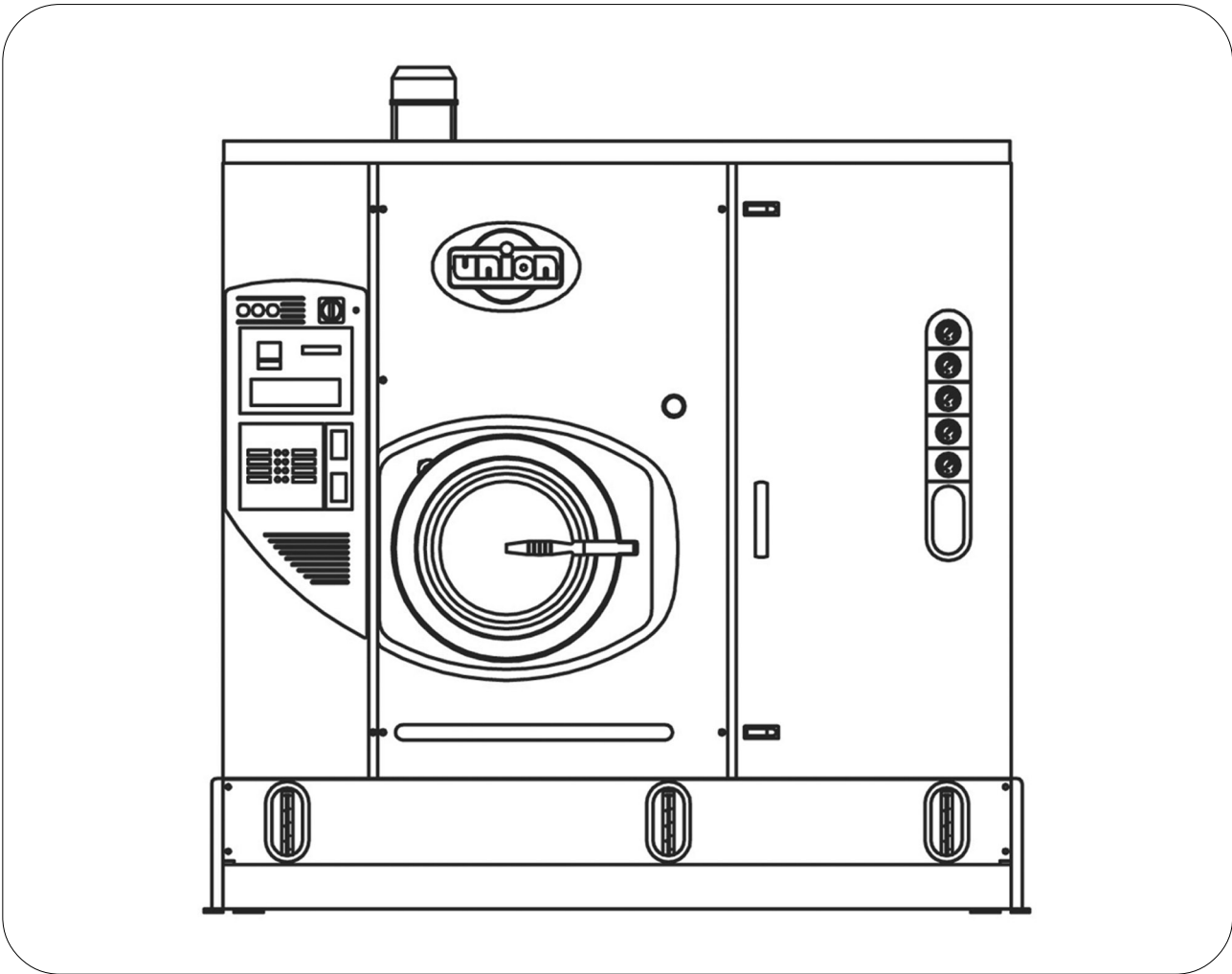




TECHNICAL INFORMATION





WORKING MACHINE WITH SOLVENT:	HYDROCARBON	
MACHINE CAPACITY	Lbs	60

BASKET

Diameter	inches	39.4
Depth	inches	25.2
Volume	gal	132
Wash speed	rpm	12 ÷ 50
Extract speed	rpm	300 ÷ 540
Door opening	inches	20

SOLVENT TANKS

Useful volume tank 1	gal	42
Useful volume tank 2	gal	42
Useful volume tank 3	gal	53

FLOOR SAFETY TANK CAPACITY	gal	113.5
-----------------------------------	-----	-------

DESTILLATOR

Useful volume at half inspection	gal	68
Total volume	gal	86
Boiler water capacity	gal	2.6

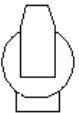
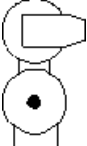

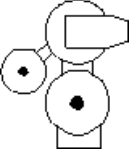
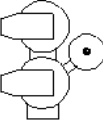
ELECTRIC POWER

(220V - 3~60Hz)

Wash motor - Extract motor (with Inverter)	Hp	7.5	Kw	5.5
Solvent pump motor	Hp	1	Kw	0.75
Fan motor	Hp	3	Kw	2.25
Refrigerator compressor	Hp	6.5	Kw	4.85
Nylon filter motor	Hp	0.75	Kw	0.55
Vacuum pump motor	Hp	0.5	Kw	0.38
Still + Heater electric elements - A	Hp		Kw	16.5
Still + Heater electric elements - B	Hp		Kw	9
Air motor compressor	Hp	0.5	Kw	0.38

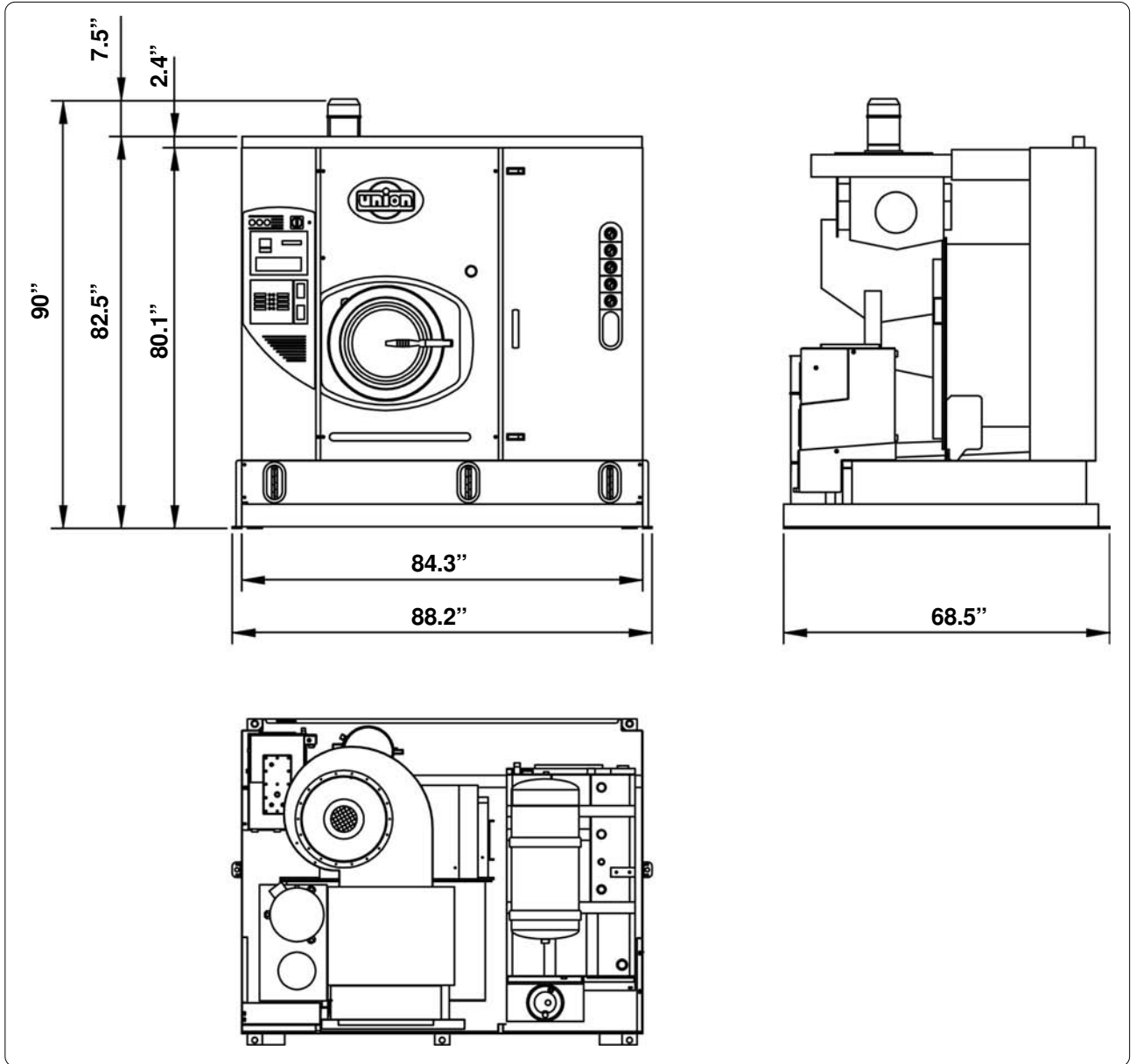
NOTE: Acoustic emission level of the machine is lower than 70 dB (A)



FILTRATION AVAILABLE IN THIS MODEL			
Versione - 03	ONE NYLON FILTER		
	Volume nylon filter housing	gal	20
	Nylon filter area	ft ²	60
	Filter disks	nr	39
Version - 04	ONE NYLON FILTER AND ONE LARGE CARTRIDGE - KR		
	Volume nylon filter housing	gal	20
	Nylon filter area	ft ²	60
	Filter disks	nr	39
	Volume large cartridge housing - KR	gal	22.5
	Area large cartridge	ft ²	28 x 3 = 84
	Cartridges quantity	nr	3
Version - 08	ONE NYLON FILTER AND ONE DECOLORATING FILTER		
	Volume nylon filter housing	gal	20
	Nylon filter area	ft ²	60
	Filter disks	nr	39
	Decolorating housing volume	gal	6.6
	Decolorating cartridges	nr	2
	Decolorating carbon quantity	Lbs	8.8
Version - 10	ONE NYLON ONE CARTRIDGE -KR ONE DECOLORATING		
	Volume nylon filter	gal	20
	Nylon filter area	ft ²	60
	Filter disks	nr	39
	Volume large cartridge housing - KR	gal	22.5
	Area large cartridge	ft ²	28 x 3 = 84
	Cartridge quantity	nr	3
	Volume decolorating housing	gal	6.6
	Tubes	nr	1
	Cartridge quantity	nr	2
	Decolorating carbon quantity	Lbs	8.8
Version - 11	TWO NYLON FILTER AND ONE DECOLORATING FILTER		
	Volume nylon filter housing	gal	20 x 2 = 40
	Nylon filter area	ft ²	60 x 2 = 120
	Filter disks	nr	39 x 2 = 78
	Volume decolorating housing	gal	6.6
	Tubes	nr	1
	Cartridge quantity	nr	2
	Decolorating carbon quantity	Lbs	8.8



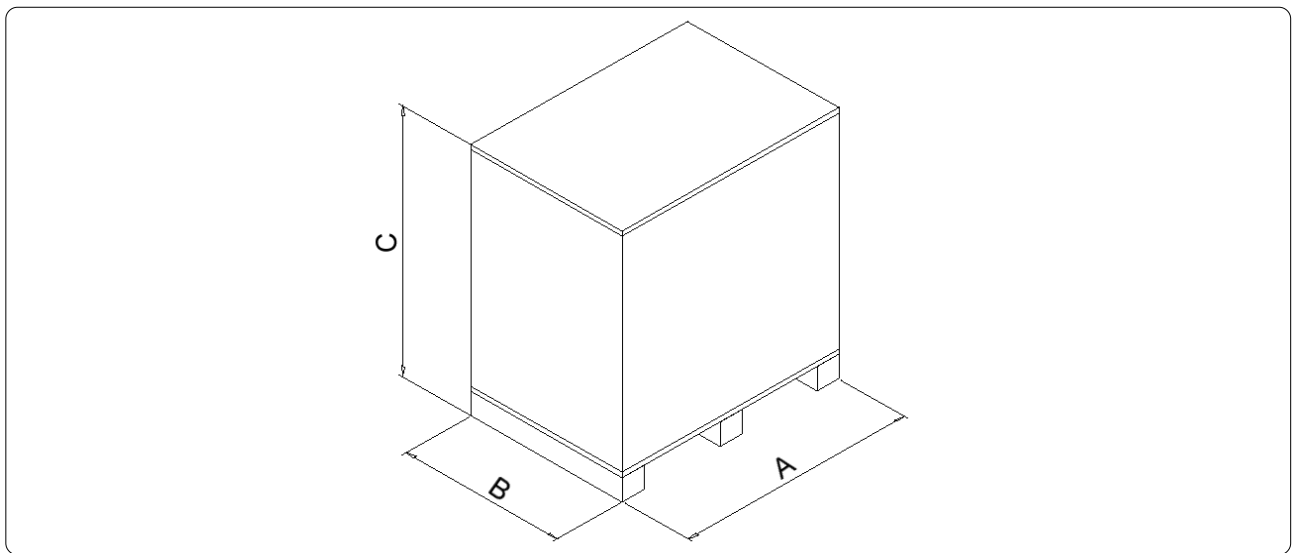
DIMENSIONS AND WEIGHTS



CHARGES		
Empty machine weight	Lbs	4805
Machine weight with solvent	Lbs	6050
Static charge on the floor with solvent	Lbs/ft ²	150
Dynamic charge on the floor (+10%)	Lbs/ft ²	242



PACKAGED MACHINE DIMENSIONS AND WEIGHTS

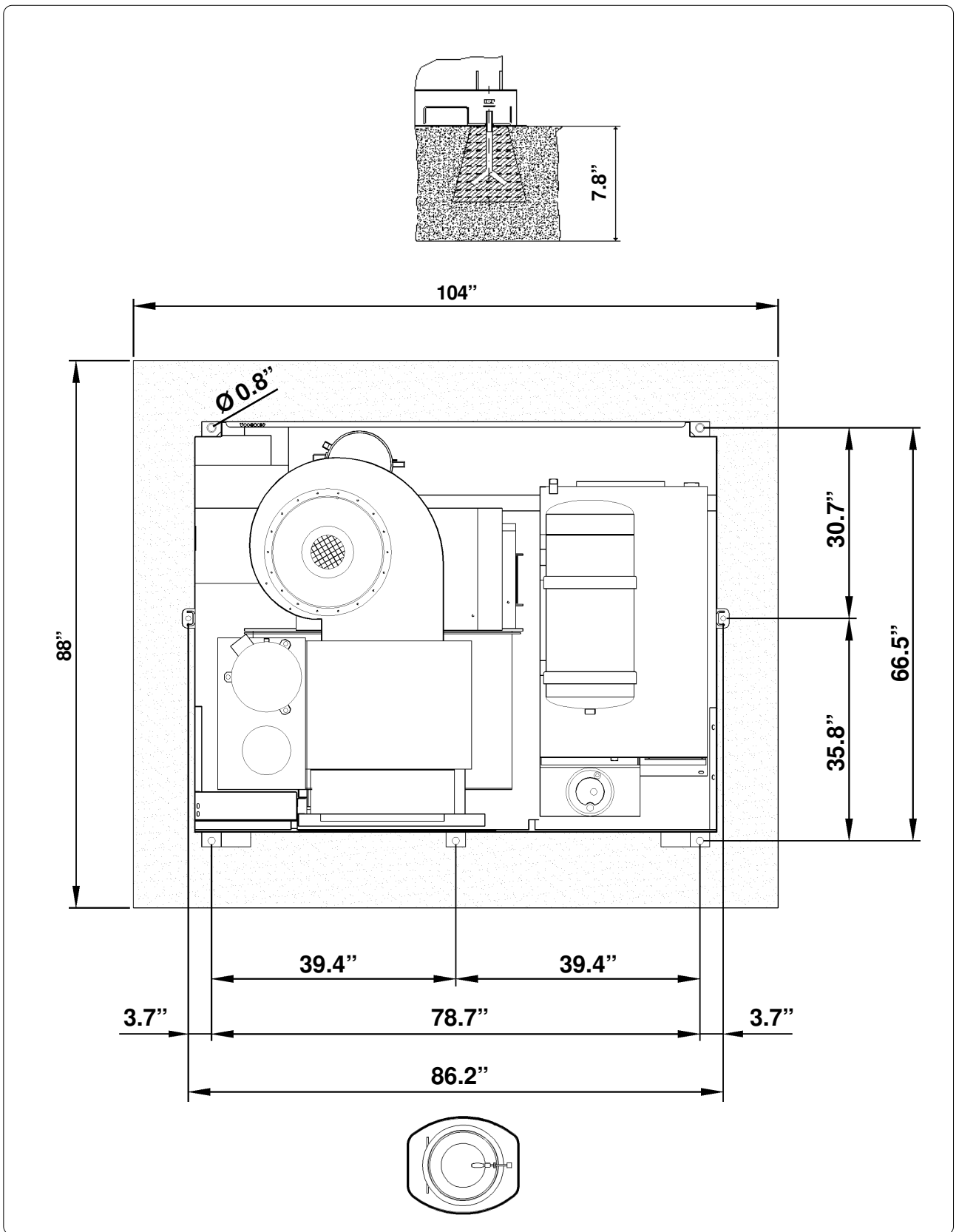


PACKAGED MACHINE DIMENSIONS				
Machine type		Carton	Wooden cage	Wooden case
HL 860	A	inches 88.2	inches 89.8	
	B	inches 78.3	inches 74.8	
	C	inches 96.1	inches 96.1	

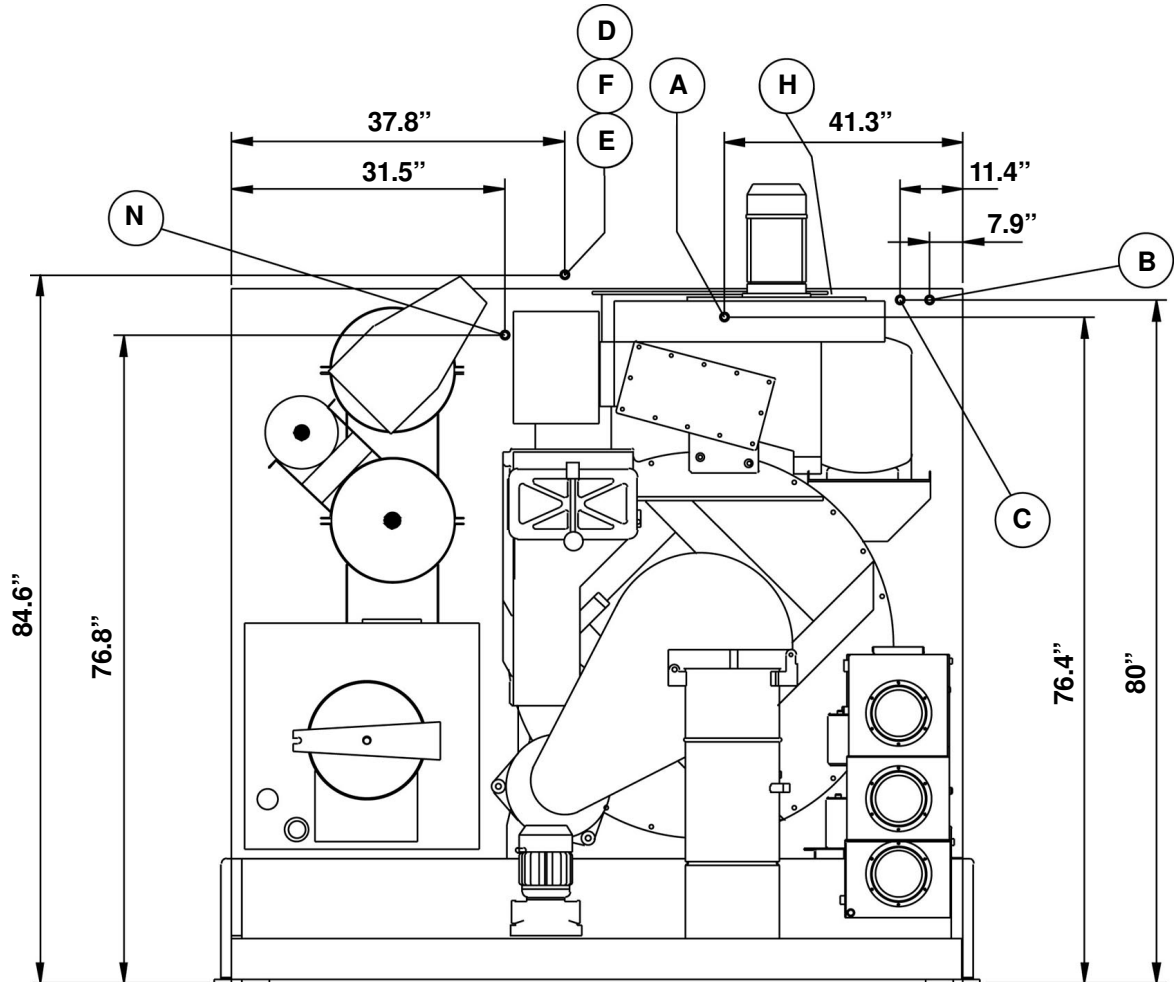
PACKAGED MACHINE WEIGHTS				
Machine type		Carton	Wooden cage	Wooden case
HL 860		Lbs 5050	Lbs 5137	



FIXING POINTS



CONNECTIONS



A	Compressed air inlet	Ø 6 mm / 1/4"
B	Water inlet	Ø 1"
C	Water outlet	Ø 1"
D	Steam still inlet	Ø 1/2"
E	Condensate outlet	Ø 1/2"
F	Steam heater inlet	Ø 1/2"
-	-	-
H	Electric connection	
N	Nitrogen feeding connection (N ₂)	



SOLVENT TYPE	HYDROCARBON			
	NECESSARY QUANTITY OF SOLVENT TO FILL THE MACHINE			
Machine Version - 03	gal	157	Lbs	1010
Machine Version - 04	gal	180	Lbs	1155
Machine Version - 08	gal	164	Lbs	1054
Machine Version - 10	gal	186	Lbs	1197
Machine Version - 11	gal	184	Lbs	1180

INFORMATION FOR THE ELECTRICAL CONNECTIONS (220V - 3~60Hz)				
ELECTRIC Version	Kw	39.5	Amp	140
STEAM Version	Kw	14	Amp	70
Dissipated heat			Kcal	7135

GENERAL INFORMATION		
Required water capacity	gal/min	3
Required water pressure	psi	29 ÷ 44
Required water temperature	°F	65° ÷ 70°
Required air pressure	psi	100 ÷ 115
Required steam pressure (Steam Version)	psi	55 ÷ 70
Required steam availability (Steam Version)	Lbs/h	132

All technical data are subject to change without notice.