



TECHNICAL INFORMATION





WORKING MACHINE WITH SOLVENT:	HYDROCARBON/ GREEN EARTH / SOLVON K4	
MACHINE CAPACITY (RATIO 1:20)	Lbs	40

BASKET

Diameter	inches	35.5
Depth	inches	21
Volume	gal	90
Wash speed	rpm	12 ÷ 50
Extract speed	rpm	300 ÷ 540
Door opening	inches	20

SOLVENT TANKS

Useful volume tank 1	gal	25
Useful volume tank 2	gal	39

FLOOR SAFETY TANK CAPACITY	gal	83
-----------------------------------	-----	-----------

DESTILLATOR

Useful volume at half inspection	gal	50.2
Total volume	gal	59.4
Boiler water capacity	gal	4

ELECTRIC POWER

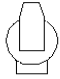
(220V - 60Hz)

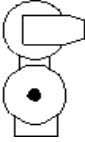
Wash motor - Extract motor	Hp	4.7	Kw	3.5
Solvent pump motor	Hp	1	Kw	0.75
Fan motor	Hp	3	Kw	2.25
Refrigerator compressor	Hp	5	Kw	3.75
Nylon filter motor	Hp	0.75	Kw	0.56
Vacuum pump motor	Hp	0.5	Kw	0.38
Still electric elements	Hp		Kw	12
Heater electric elements	Hp		Kw	15
Air motor compressor	Hp	0.5	Kw	0.37
Button trap drying blower	Hp	0.75	Kw	0.55
---	Hp	---	Kw	---


NOTE: Acoustic emission level of the machine is lower than 70 dB (A)




FILTRATION AVAILABLE IN THIS MODEL

Version - 03	ONE NYLON FILTER		
	Volume nylon filter housing	gal	14.5
	Nylon filter area	ft ²	42
	Filter disks	nr	26

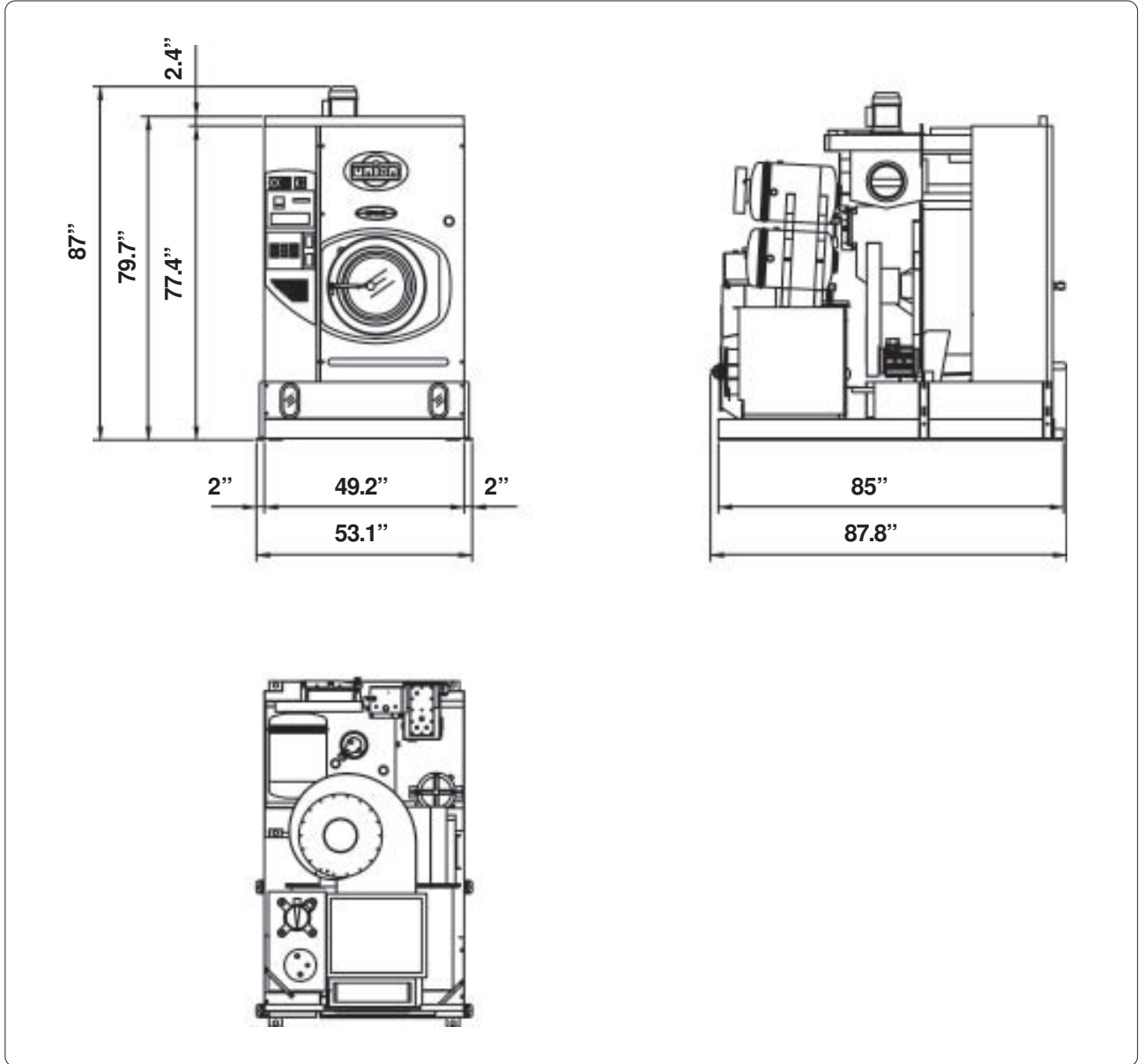
Version - 04	ONE NYLON FILTER AND ONE LARGE CARTRIDGE - KR		
	Volume nylon filter housing	gal	14.5
	Nylon filter area	ft ²	42
	Filter disks	nr	26
	Volume large cartridge housing - KR	gal	14.5
	Area large cartridge	ft ²	28 x 2 = 56
	Cartridges quantity	nr	2

Version - 08	ONE NYLON FILTER AND ONE DECOLORATING FILTER		
	Volume nylon filter housing	gal	14..5
	Nylon filter area	ft ²	42
	Filter disks	nr	26
	Decolorating housing volume	gal	3.5
	Decolorating cartridges	nr	1
	Decolorating cabon quantity	Lbs	4.4

Version - 09	2 CARTRIDGE - KR FILTERS		
	Volume large cartridge housing	gal	14.5 x 2 = 29
	Filter area	ft ²	28 x 4 = 112
	Filter disks	nr	2 x 2 = 4



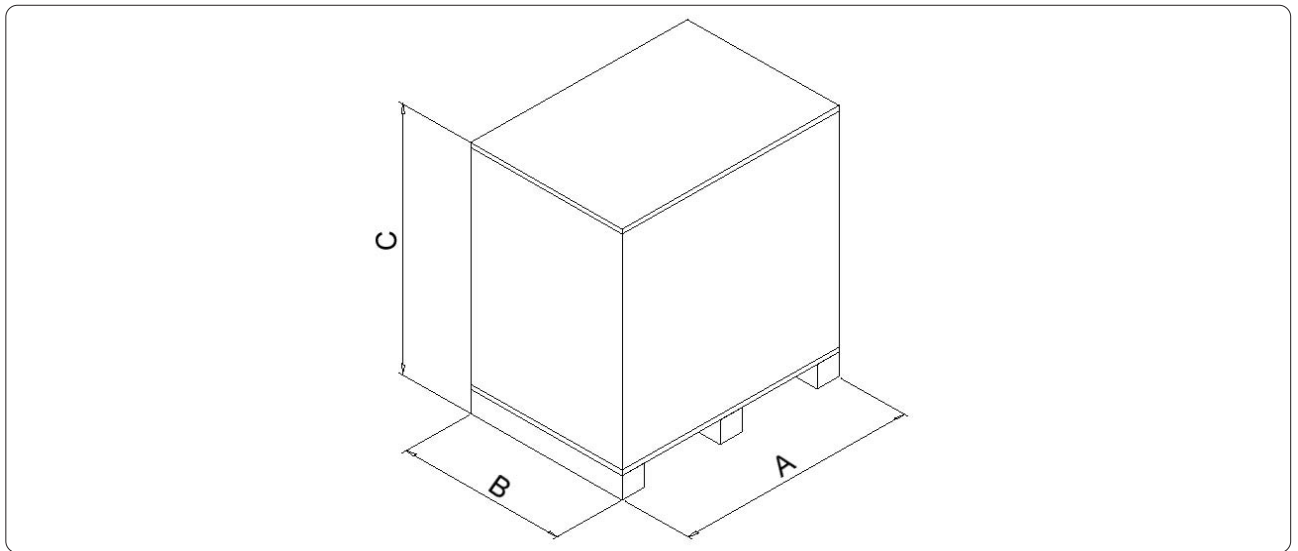
DIMENSIONS AND WEIGHTS



CHARGES		
Empty machine weight	Lbs	3728
Machine weight with solvent	Lbs	4264
Static charge on the floor with solvent	Lbs/ft²	147
Dynamic charge on the floor (+10%)	Lbs/ft²	229



PACKAGED MACHINE DIMENSIONS AND WEIGHTS

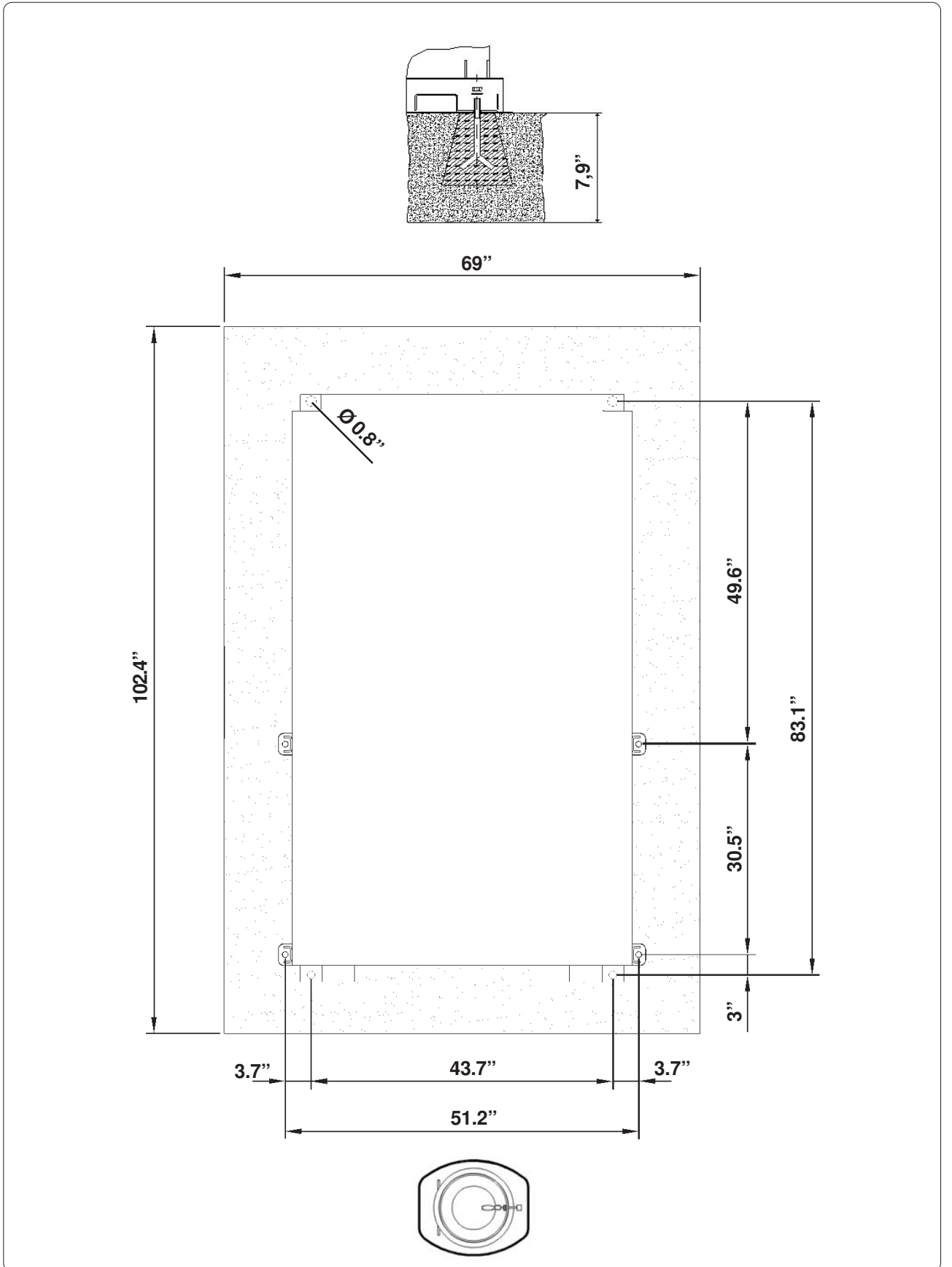


PACKAGED MACHINE DIMENSIONS				
Machine type		Carton	Wooden cage	Wooden case
Standard	A		inches 89.8	
	B		inches 60.6	
	C		inches 95.5	

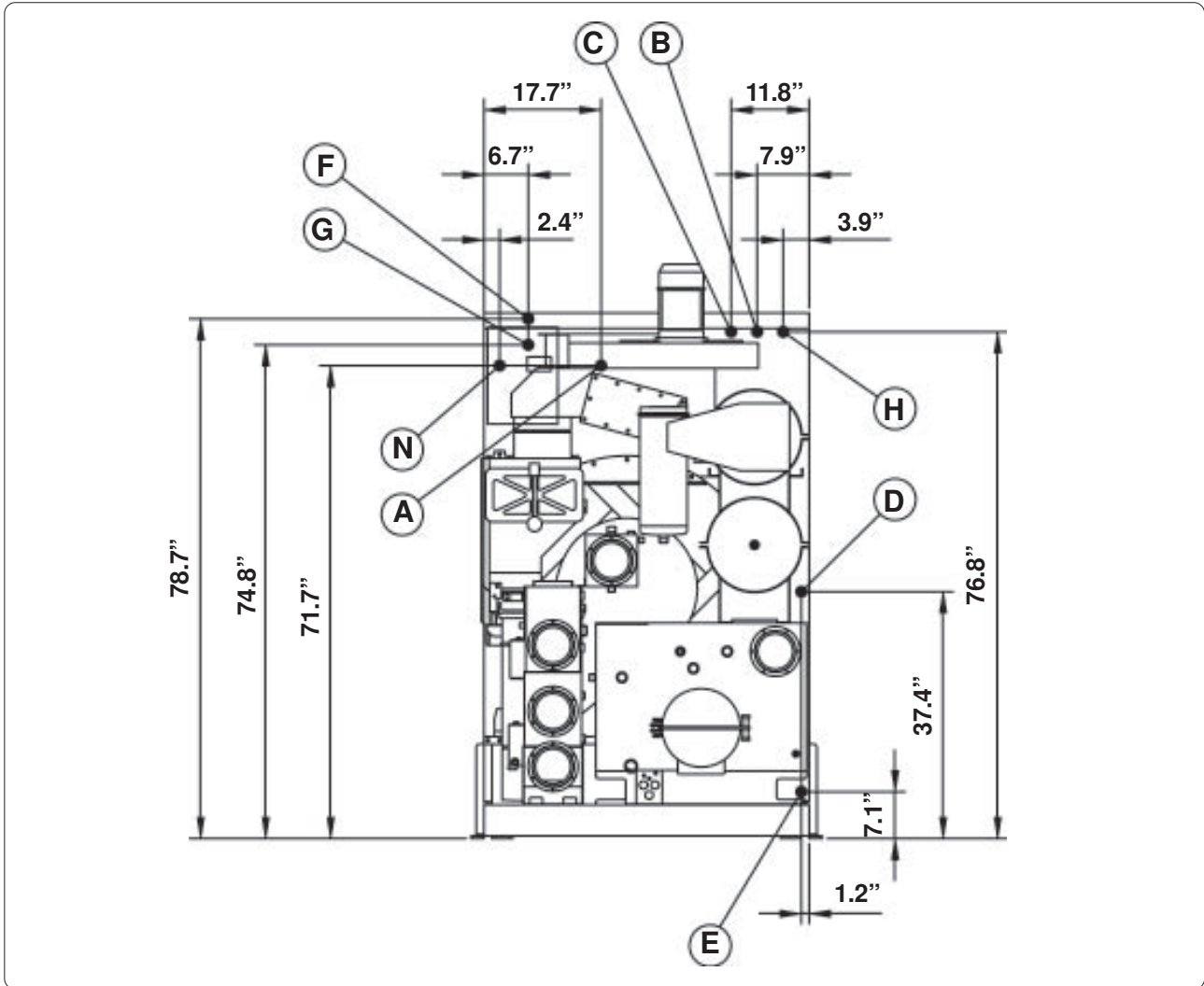
PACKAGED MACHINE WEIGHTS				
Machine type		Carton	Wooden cage	Wooden case
Standard			Lbs 4123	



FIXING POINTS



CONNECTIONS



A	Compressed air inlet	Ø 6 mm / Ø 1/4"
B	Water inlet	Ø 1"
C	Water outlet	Ø 1"
D	Steam still inlet	Ø 1/2"
E	Condensate still outlet	Ø 1/2"
F	Steam heater inlet	Ø 1/2"
G	Condensate heater outlet	Ø 1/2"
H	Electric connection	
N	Nitrogen feeding connection (N ₂)	



SOLVENT TYPE		HYDROCARBON / GREEN EARTH / SOLVON K4		
NECESSARY QUANTITY OF SOLVENT TO FILL THE MACHINE				
Machine Version - 03	gal	79.3	Lbs	510
Machine Version - 04	gal	93.8	Lbs	602
Machine Version - 08	gal	82.7	Lbs	529
Machine Version - 09	gal	93.8	Lbs	602

INFORMATION FOR THE ELECTRICAL CONNECTIONS (220V - 60Hz)				
ELECTRIC Version	Kw	-	Amp.	-
STEAM Version	Kw	11	Amp.	59
Dissipated heat			Kcal	5420

GENERAL INFORMATION		
Required water capacity	gal/min	3
Required water pressure	PSI	40 ÷ 70
Required water temperature	°F	65 ÷ 70
Required air pressure	PSI	100 ÷ 115
Required steam still pressure (Steam Version)	PSI	36
Required steam heater pressure (Steam Version)	PSI	55 ÷ 72
Required steam* availability (Steam Version)	Lbs/h	132

*Relative values of dry saturated steam.

All technical data are subject to change without notice.