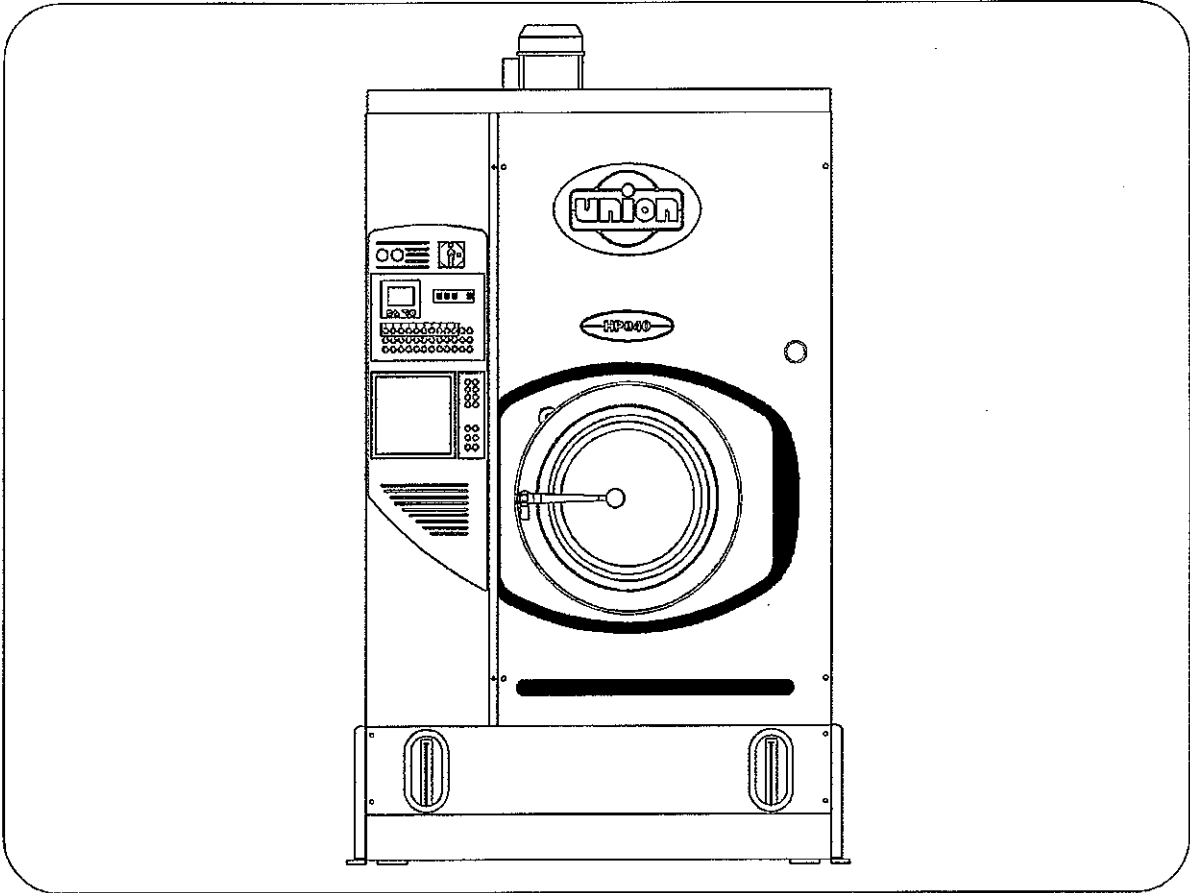




**TECHNICAL INFORMATION**





<b>WORKING MACHINE WITH SOLVENT:</b>	<b>HYDROCARBON</b>	
<b>MACHINE CAPACITY</b> (RATIO 1:20)	Lbs	45 ÷ 50

**BASKET**

Diameter	inches	39.4
Depth	inches	20
Volume	cu-ft	14.1
Wash speed	rpm	12 ÷ 50
Extract speed	rpm	300 ÷ 540
Door opening	inches	20

**SOLVENT TANKS**

Useful volume tank 1	gal	29
Useful volume tank 2	gal	44

<b>FLOOR SAFETY TANK CAPACITY</b>	gal	87
-----------------------------------	-----	----

**DESTILLATOR**

Useful volume at half inspection	gal	50
Total volume	gal	60
Boiler water capacity	gal	4



**ELECTRIC POWER**

(220V - 60 Hz)

Wash motor - Extract motor	Hp	1.35 ÷ 7.5	Kw	1 + 5.5
Solvent pump motor	Hp	1	Kw	0.74
Fan motor	Hp	3	Kw	2.2
Refrigerator compressor	Hp	6.50	Kw	4.85
Nylon filter motor	Hp	0.75	Kw	0.55
Vacuum pump motor	Hp	0.5	Kw	0.35
Still + Heater electric elements	Hp	---	Kw	15
Air motor compressor	Hp	0.5	Kw	0.37
---	Hp	---	Kw	---

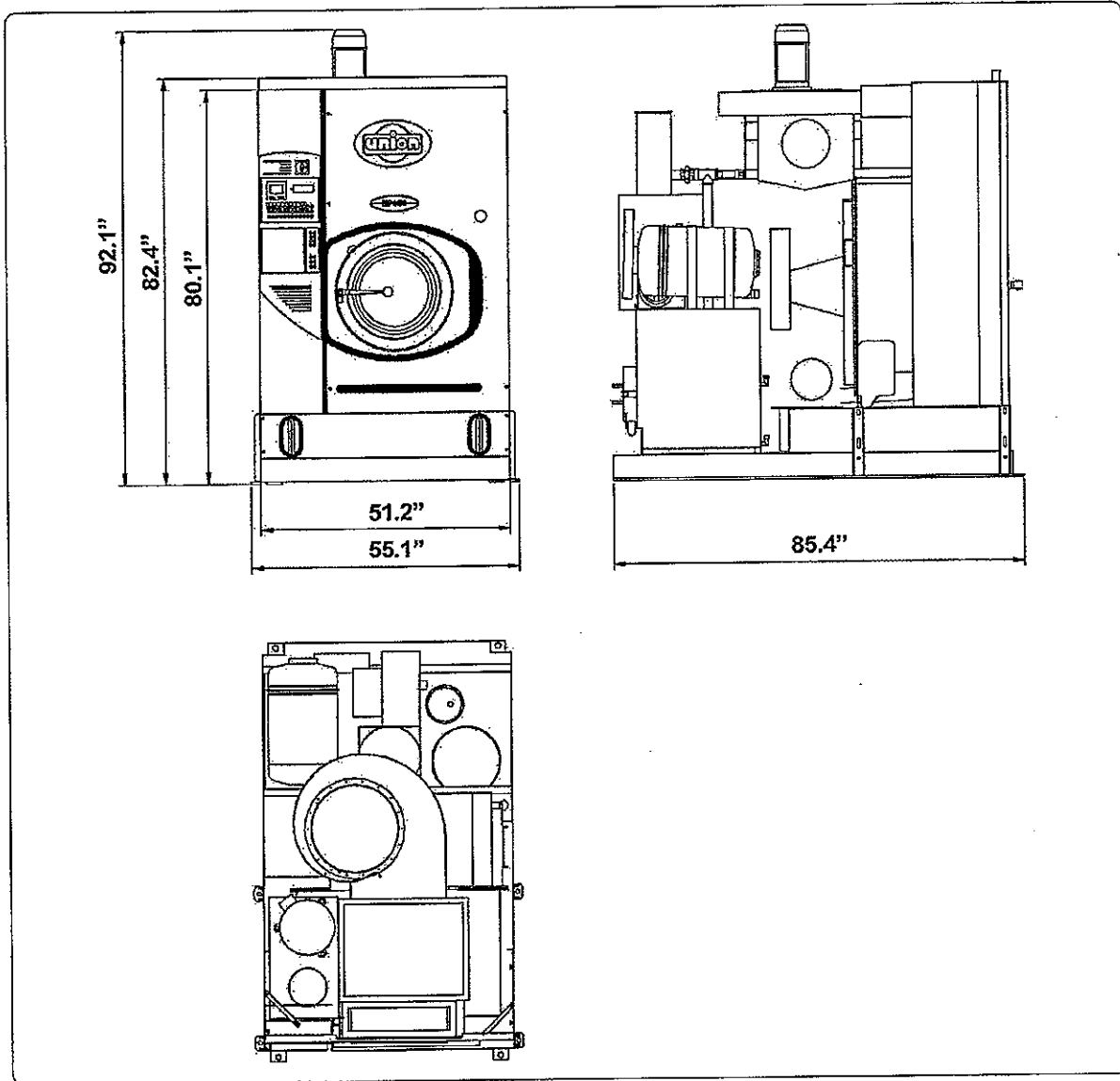
**NOTE:** Acoustic emission level of the machine is lower than 70 dB (A)



FILTRATION AVAILABLE IN THIS MODEL			
<b>Version - 03</b>	<b>ONE NYLON FILTER</b>		
	Volume nylon filter housing	gal	14.5
	Nylon filter area	ft <sup>2</sup>	42
	Filter disks	nr	26
<b>Version - 08</b>	<b>ONE NYLON FILTER AND ONE DECOLORATING FILTER</b>		
	Volume nylon filter housing	gal	14.5
	Nylon filter area	ft <sup>2</sup>	42
	Filter disks	nr	26
	Decolorating housing volume	gal	3.4
	Decolorating cartridges	nr	1
	Decolorating carbon quantity	Lbs	4.4



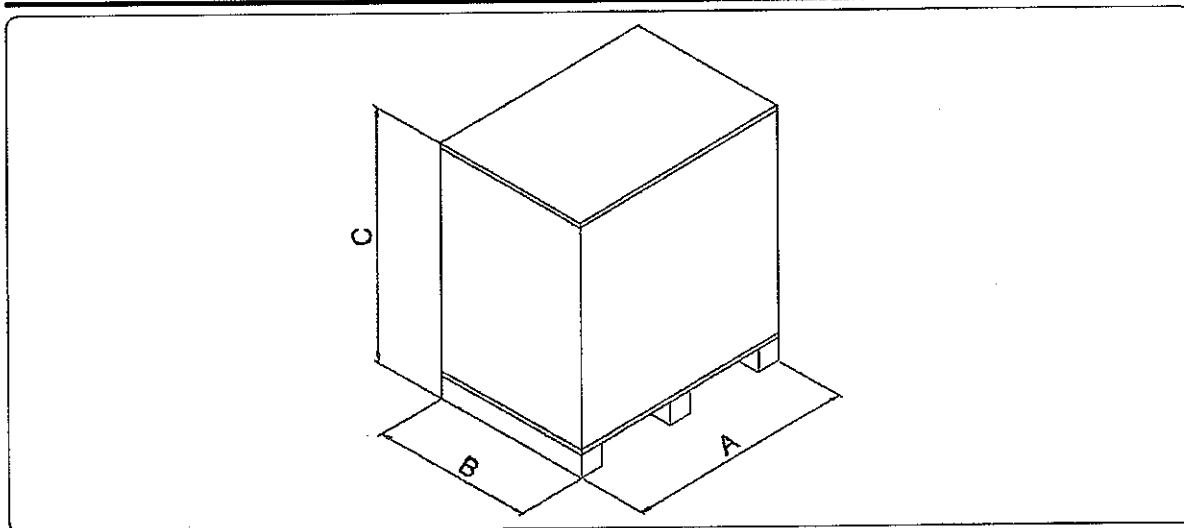
**DIMENSIONS AND WEIGHTS**



CHARGES		
Empty machine weight	Lbs	4012
Machine weight with solvent	Lbs	4608
Static charge on the floor with solvent	Lbs/ft <sup>2</sup>	152
Dynamic charge on the floor (+10%)	Lbs/ft <sup>2</sup>	247



## PACKAGED MACHINE DIMENSIONS AND WEIGHTS

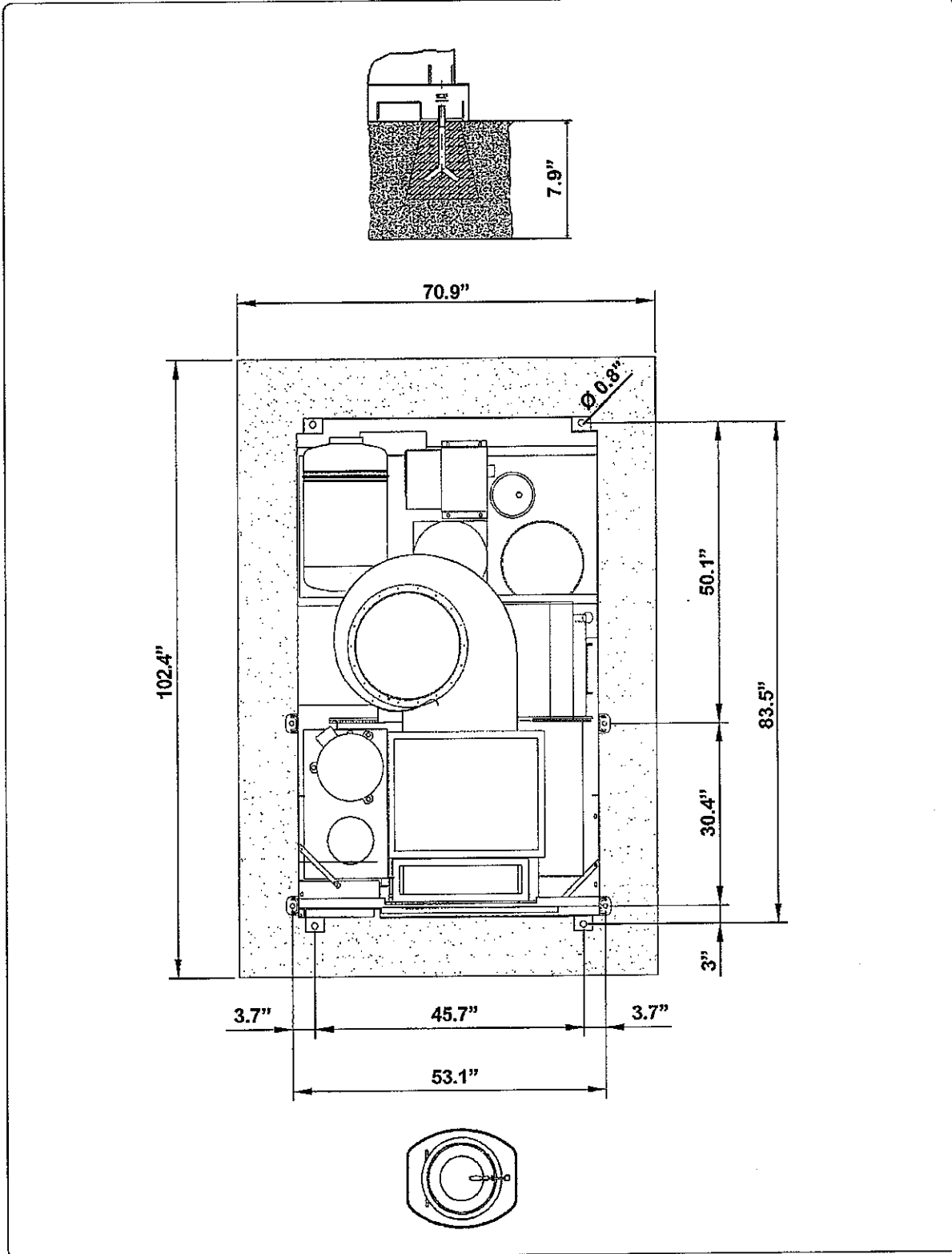


PACKAGED MACHINE DIMENSIONS				
Machine type		Carton	Wooden cage	Wooden case
HP 850	A	inches 85.8	inches 89.8	
	B	inches 56.3	inches 60	
	C	inches 93.3	inches 96.3	

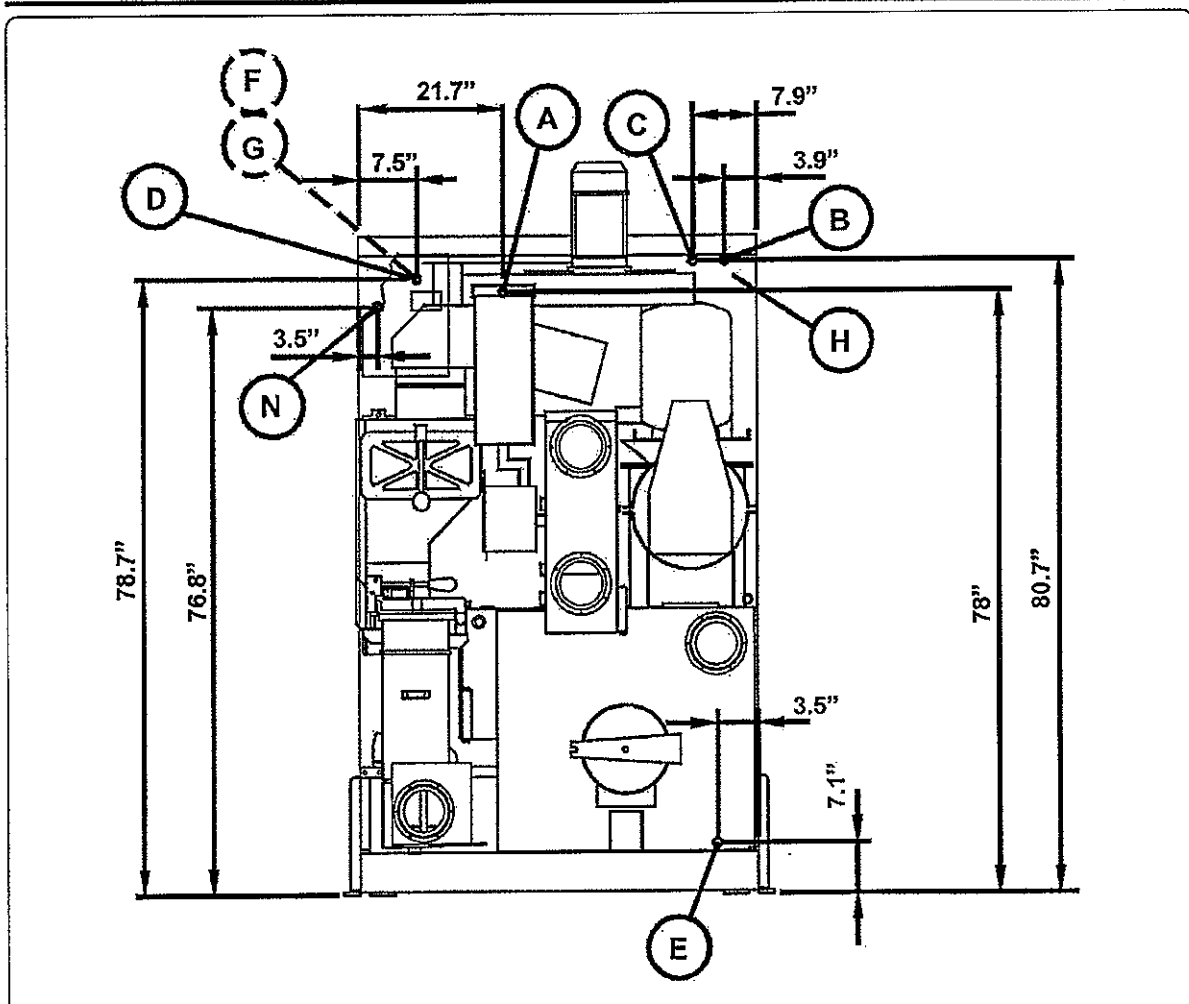
PACKAGED MACHINE WEIGHTS				
Machine type		Carton	Wooden cage	Wooden case
HP 850		Lbs 4387	Lbs 4409	



FIXING POINTS



## CONNECTIONS



A	Compressed air inlet	Ø 6 mm
B	Water inlet	Ø 1"
C	Water outlet	Ø 1"
D	Steam still inlet	Ø 1/2"
E	Condensate still outlet	Ø 1/2"
F	Steam heater inlet	Ø 1/2"
G	Condensate heater outlet	Ø 1/2"
H	Electric connection	
N	Nitrogen feeding connection (N <sub>2</sub> )	



SOLVENT TYPE		HYDROCARBON		
NECESSARY QUANTITY OF SOLVENT TO FILL THE MACHINE				
Machine Version - 03	gal	88	Lbs	568
Machine Version - 08	gal	92	Lbs	595

INFORMATION FOR THE ELECTRICAL CONNECTIONS (220V - 60Hz)				
ELECTRIC Version	Kw	-	Amp	-
STEAM Version	Kw	14.5	Amp	74.5

GENERAL INFORMATION		
Required water capacity	gal/min	2.6
Required water pressure	PSI	43 ÷ 72
Required water temperature	°F	64.4 ÷ 73.4
Required air pressure	PSI	101 ÷ 116
Required steam pressure (Steam Version)	PSI	58 ÷ 72
Required steam availability (Steam Version)	Lbs/h	132

*All technical data are subject to change without notice.*