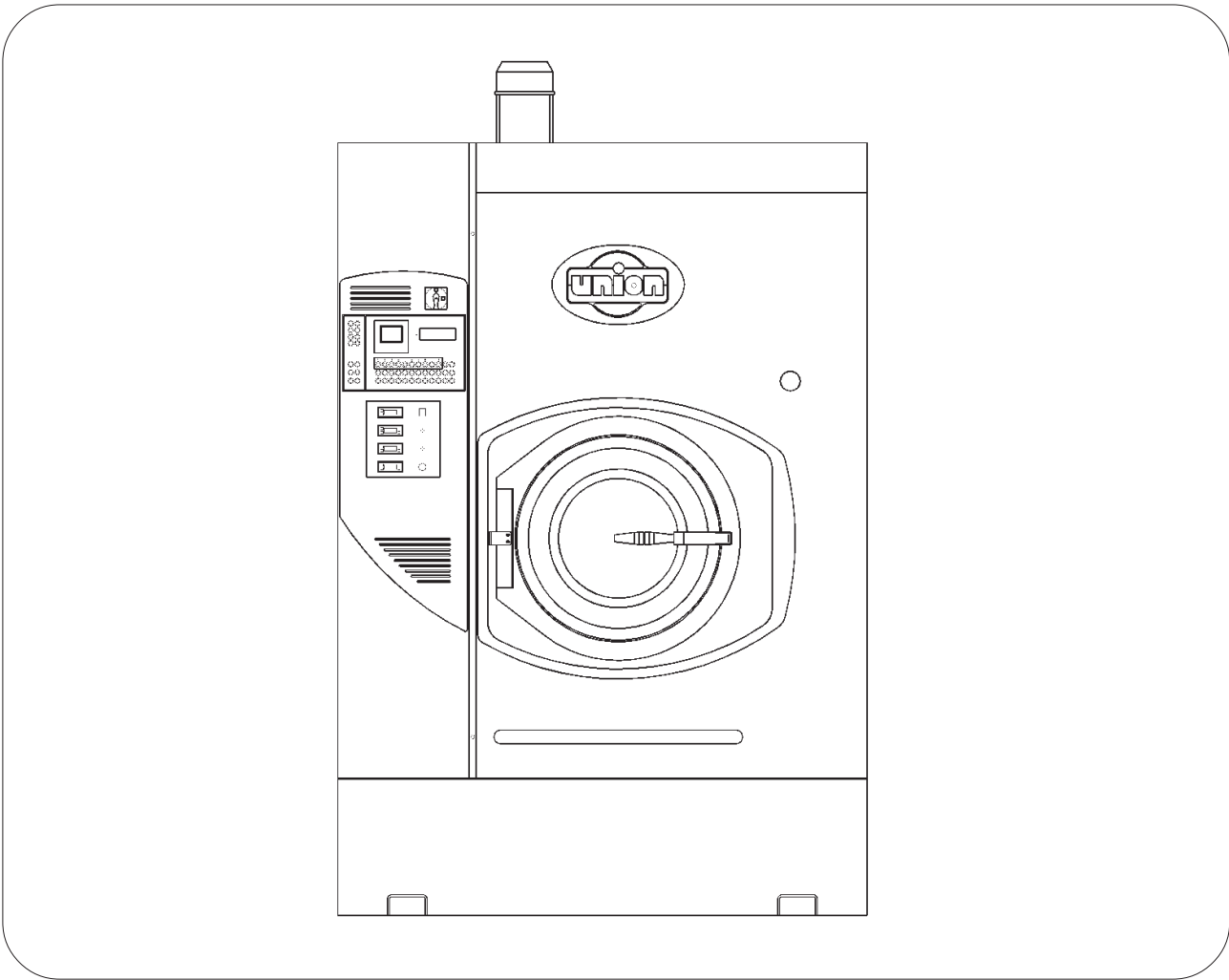




TECHNICAL INFORMATION





WORKING MACHINE WITH SOLVENT:	HYDROCARBON	
MACHINE CAPACITY (RATIO 1:20)	Lbs	90

BASKET

Diameter	inches	47.3
Depth	inches	28
Volume	cu-ft	28.3
Basket speed	rpm	35
Door opening	inches	23.7

FLOOR SAFETY TANK CAPACITY	gal	145
-----------------------------------	-----	------------

ELECTRIC POWER

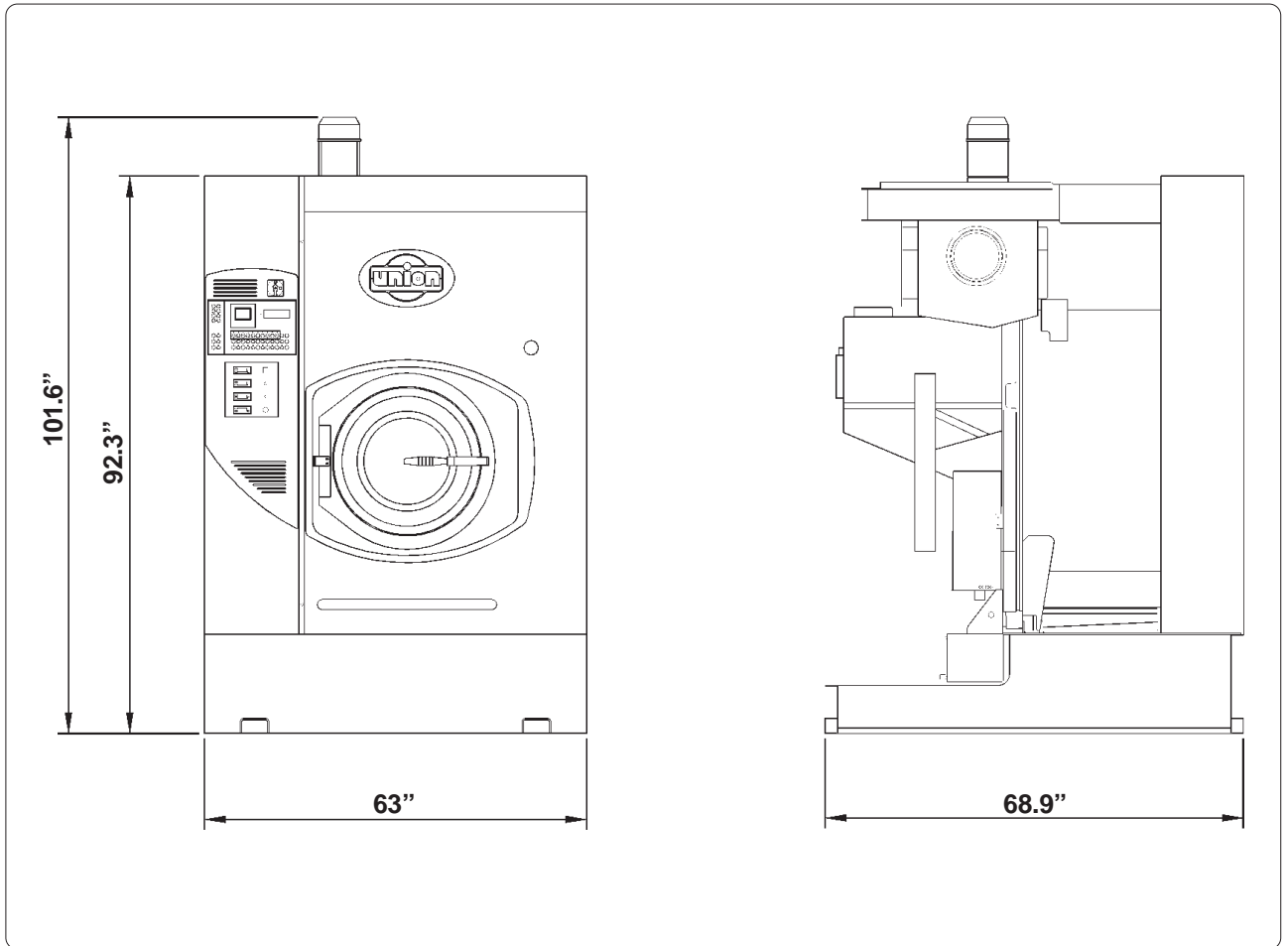
(220 V - 60 Hz)

Drive basket	Hp	1	Kw	0.75
Fan motor	Hp	5.5	Kw	4.13
Refrigerator compressor	Hp	6.5	Kw	4.85
Air motor compressor	Hp	0.5	Kw	0.37

NOTE: Acoustic emission level of the machine is lower than 70 dB (A)



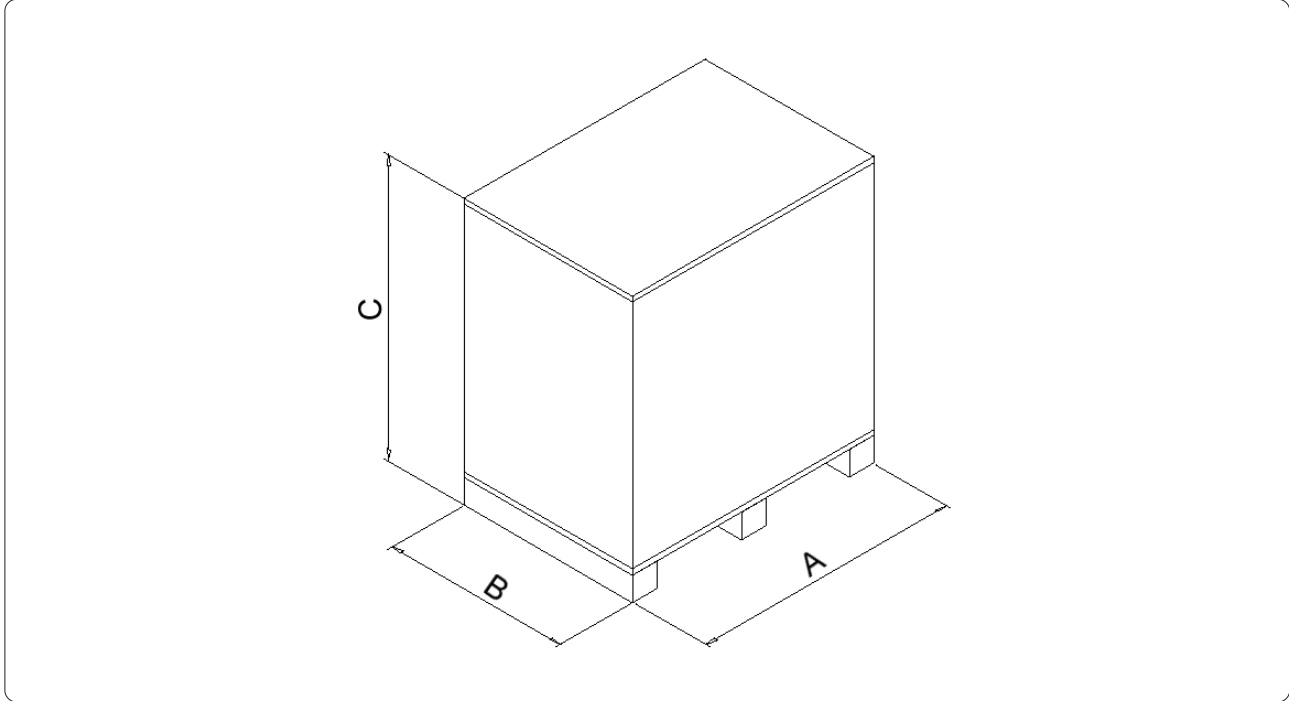
DIMENSIONS AND WEIGHTS



CHARGES		
Empty machine weight	Lbs	3472
Static charge on the floor	Lbs/ft ²	115
Dynamic charge on the floor (+10%)	Lbs/ft ²	127



PACKAGED MACHINE DIMENSIONS AND WEIGHTS

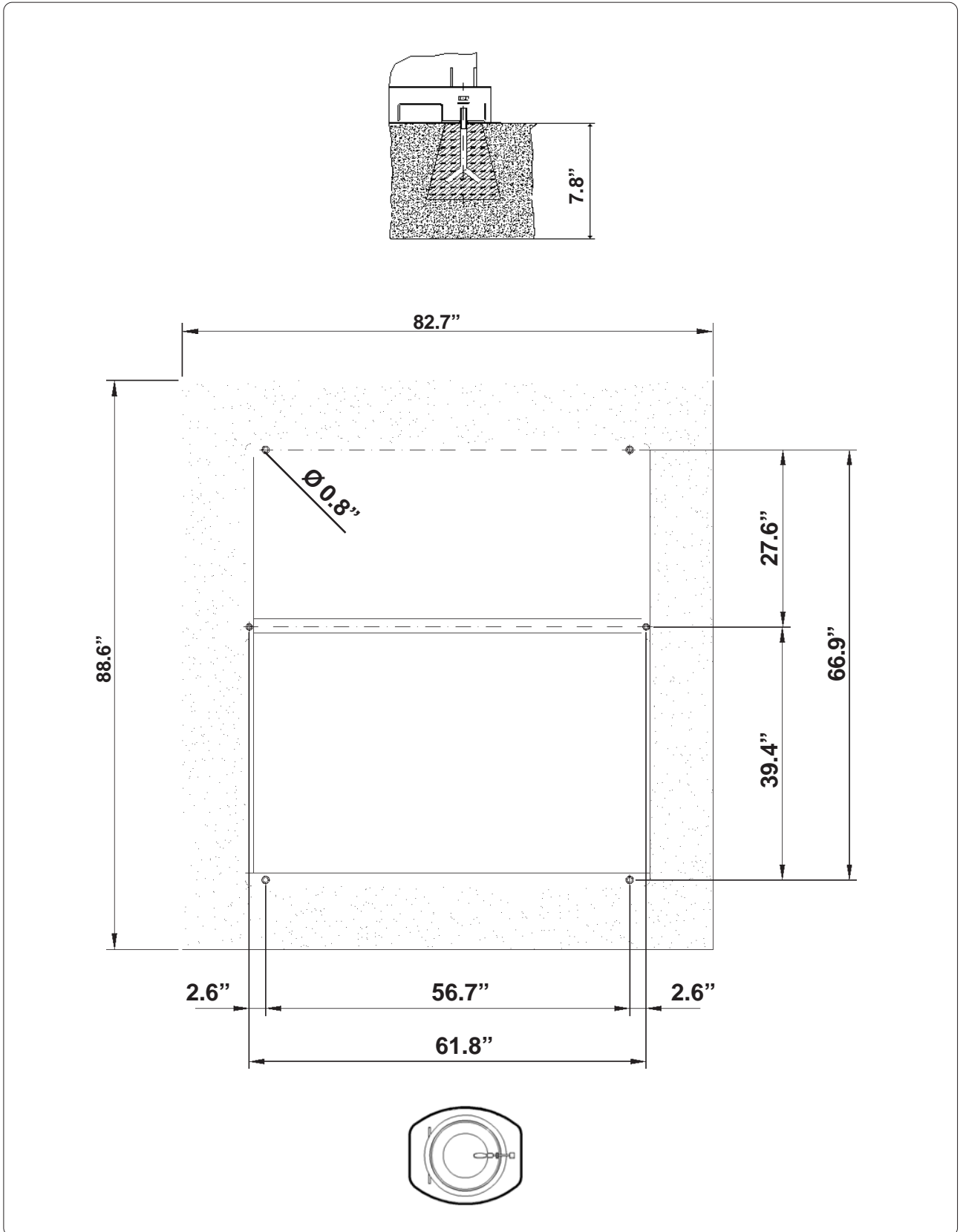


PACKAGED MACHINE DIMENSIONS				
Machine type		Carton	Wooden cage	Wooden case
DRYER 890	A		inches 85.8"	
	B		inches 70.1"	
	C		inches 97.6"	

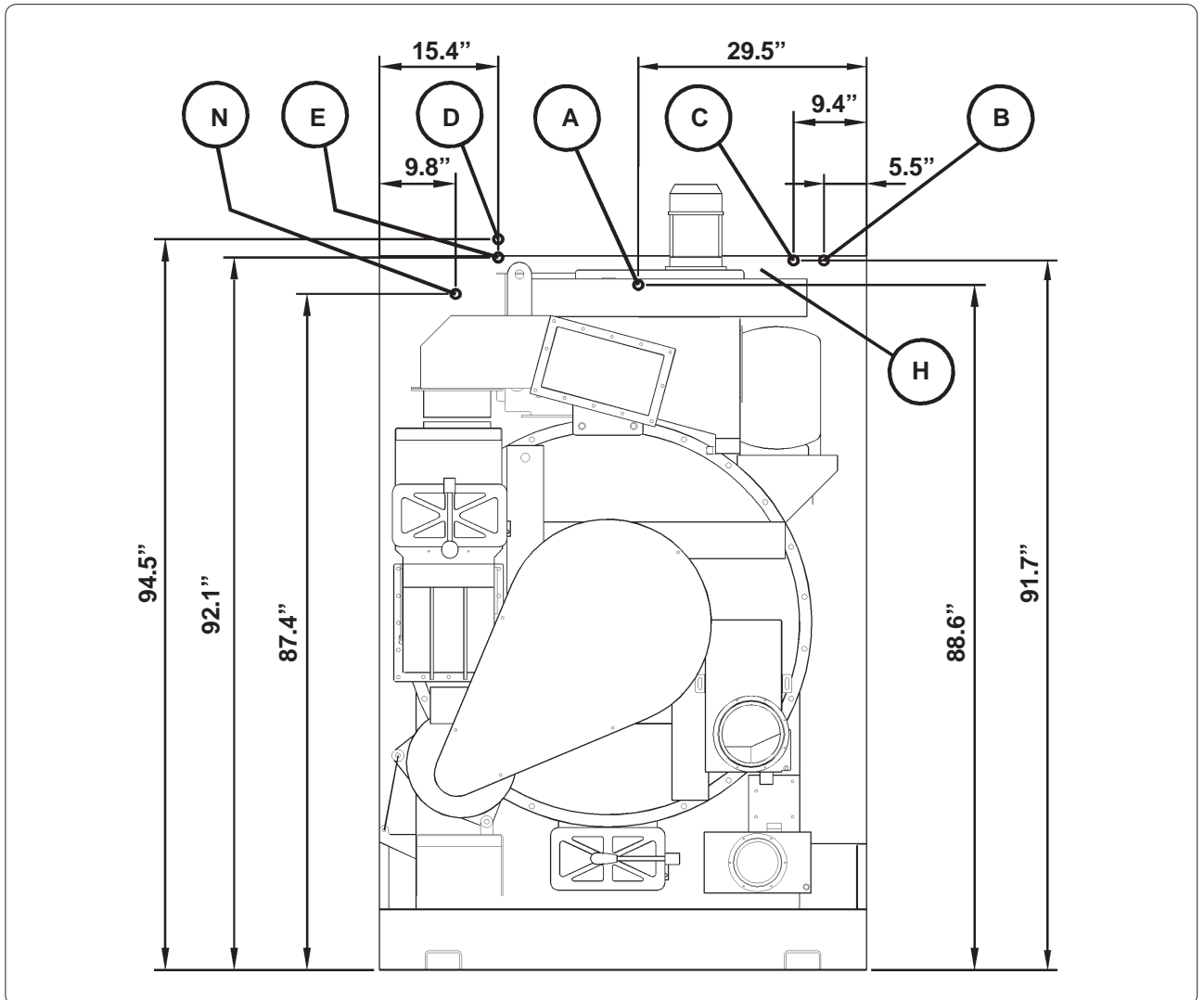
PACKAGED MACHINE WEIGHTS				
Machine type		Carton	Wooden cage	Wooden case
DRYER 890			Lbs 3815	



FIXING POINTS



CONNECTIONS



A	Compressed air inlet	Ø 6 mm
B	Water inlet	Ø 1"
C	Water outlet	Ø 1"
D	Steam heater inlet	Ø 1/2"
E	Condensate heater outlet	Ø 1/2"
H	Electric connection	
N	Nitrogen feeding connection (N ₂)	



INFORMATION FOR THE ELECTRICAL CONNECTIONS (220 V - 60 Hz)				
ELECTRIC Version	Kw	-	Amp	-
STEAM Version	Kw	10	Amp	45

GENERAL INFORMATION		
Required water capacity	gal/min	3
Required water pressure	psi	40 ÷ 70
Required water temperature	°F	65° ÷ 70°
Required air pressure	psi	100 ÷ 115
Required steam pressure (Steam Version)	psi	55 ÷ 70
Required steam availability (Steam Version)	Lbs/h	132