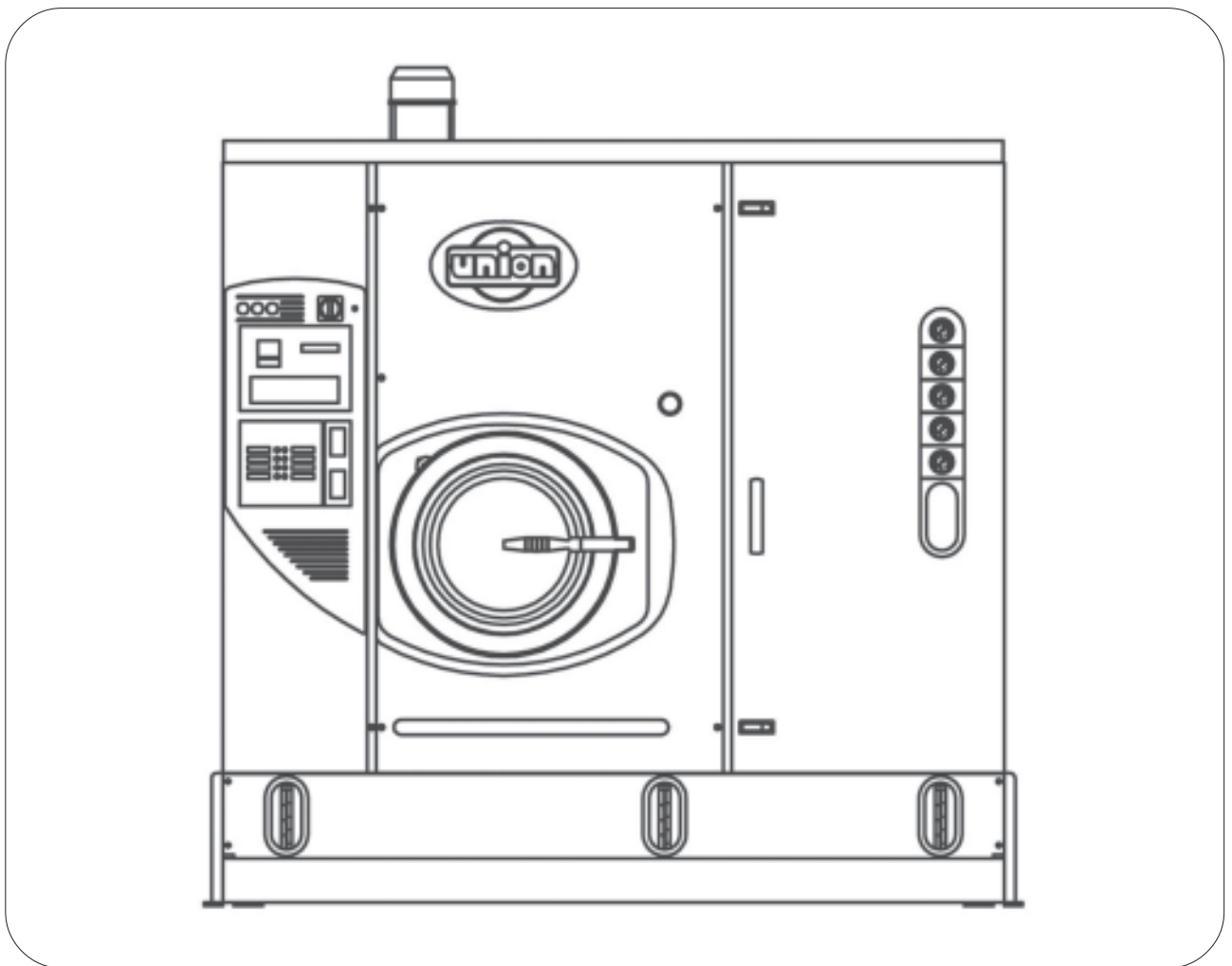




TECHNICAL INFORMATION





WORKING MACHINE WITH SOLVENT:	HYDROCARBON/ GREEN EARTH / SOLVON K4	
MACHINE CAPACITY (RATIO 1:20)	Lbs	45

BASKET

Diameter	inches	39.4
Depth	inches	20
Volume	gal	106
Wash speed	rpm	12 ÷ 50
Extract speed	rpm	300 ÷ 540
Door opening	inches	20

SOLVENT TANKS

Useful volume tank 1	gal	42
Useful volume tank 2	gal	42
Useful volume tank 3	gal	53
FLOOR SAFETY TANK CAPACITY	gal	113.5

DESTILLATOR

Useful volume at half inspection	gal	68
Total volume	gal	86
Boiler water capacity	gal	2.6

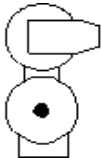


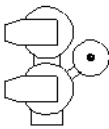
ELECTRIC POWER

(220 V - 60 Hz)

Wash motor - Extract motor (with Inverter)	Hp	7.5	Kw	5.5
Solvent pump motor	Hp	1 - 1.2	Kw	0.75 - 0.90
Fan motor	Hp	3	Kw	2.25
Refrigerator compressor	Hp	6.5	Kw	4.85
Nylon filter motor	Hp	0.75	Kw	0.55
Vacuum pump motor	Hp	0.5	Kw	0.38
Still electric elements	Hp		Kw	16.5
Heater electric elements	Hp		Kw	9
Air motor compressor	Hp	0.5	Kw	0.38
Button trap drying blower	Hp	0.75	Kw	0.55
-	Hp	-	Kw	-

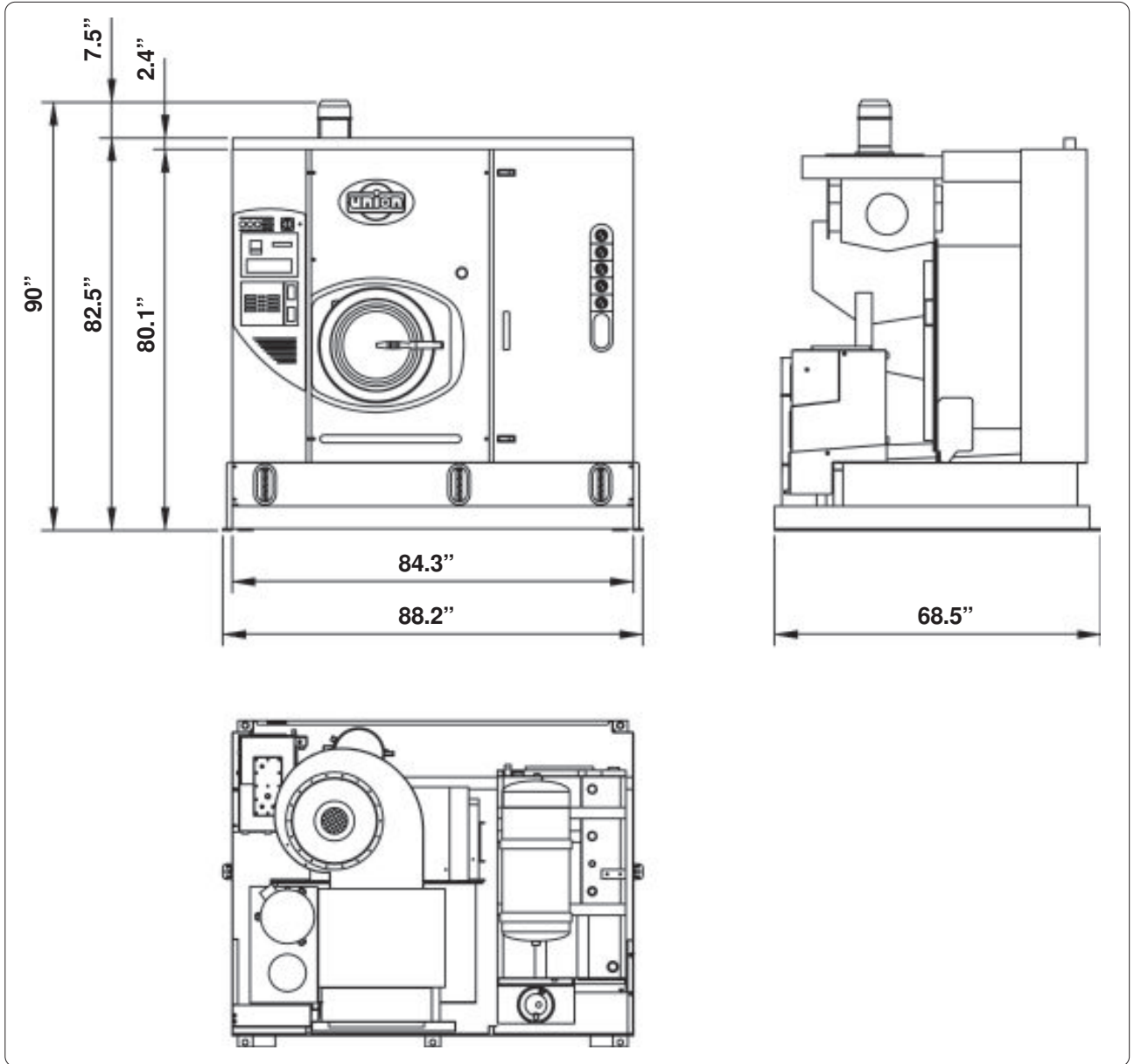
NOTE: Acoustic emission level of the machine is lower than 70 dB (A)



FILTRATION AVAILABLE IN THIS MODEL			
Version - 04	ONE NYLON FILTER AND ONE LARGE CARTRIDGE - KR		
	Volume nylon filter housing	gal	20
	Nylon filter area	ft ²	60
	Filter disks	nr	39
	Volume large cartridge housing - KR	gal	22.5
	Area large cartridge	ft ²	28 x 3 = 84
	Cartridges quantity	nr	3
Version - 08	ONE NYLON FILTER AND ONE DECOLORATING FILTER		
	Volume nylon filter housing	gal	20
	Nylon filter area	ft ²	60
	Filter disks	nr	39
	Decolorating housing volume	gal	6.6
	Decolorating cartridges	nr	2
	Decolorating cabon quantity	Lbs	8.8
Version - 10	ONE NYLON ONE CARTRIDGE -KR ONE DECOLORATING		
	Volume nylon filter	gal	20
	Nylon filter area	ft ²	60
	Filter disks	nr	39
	Volume large cartridge housing - KR	gal	22.5
	Area large cartridge	ft ²	28 x 3 = 84
	Cartridges quantity	nr	3
	Volume decolorating housing	gal	6.6
	Tubes	nr	1
	Cartridge quantity	nr	2
Decolorating carbon quantity	Lbs	8.8	
Version - 11	TWO NYLON FILTER AND ONE DECOLORATING FILTER		
	Volume nylon filter housing	gal	20 x 2 = 40
	Nylon filter area	ft ²	60 x 2 = 120
	Filter disks	nr	39 x 2 = 78
	Volume decolorating housing	gal	6.6
	Tubes	nr	1
	Cartridge quantity	nr	2
	Decolorating carbon quantity	Lbs	8.8



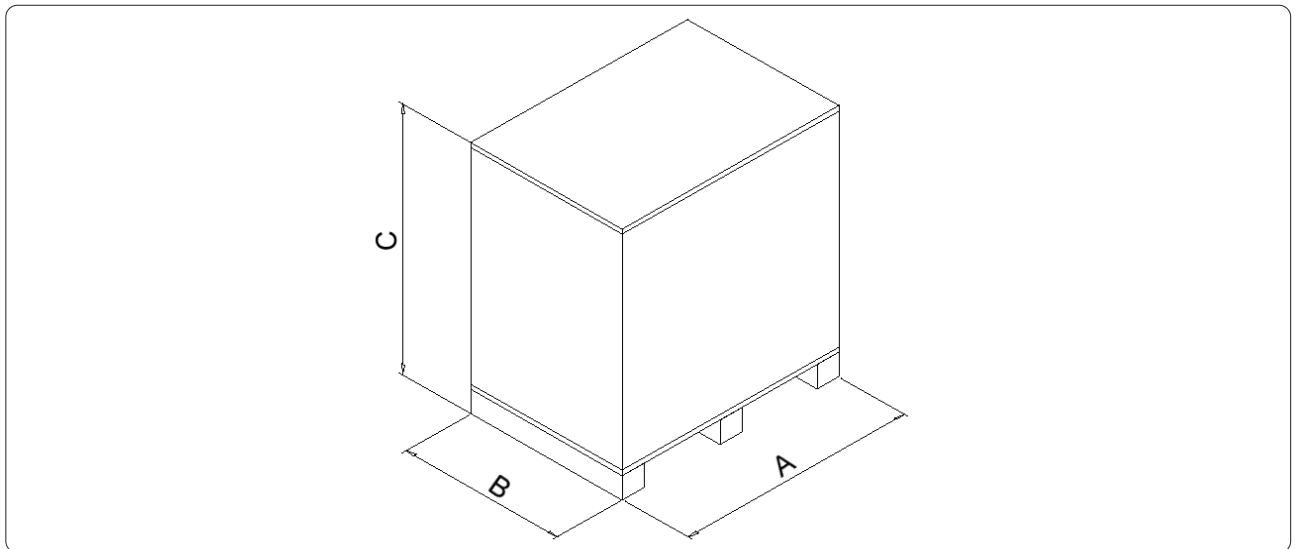
DIMENSIONS AND WEIGHTS



CHARGES		
Empty machine weight	Lbs	4630
Machine weight with solvent	Lbs	5865
Static charge on the floor with solvent	Lbs/ft ²	146
Dynamic charge on the floor (+10%)	Lbs/ft ²	221



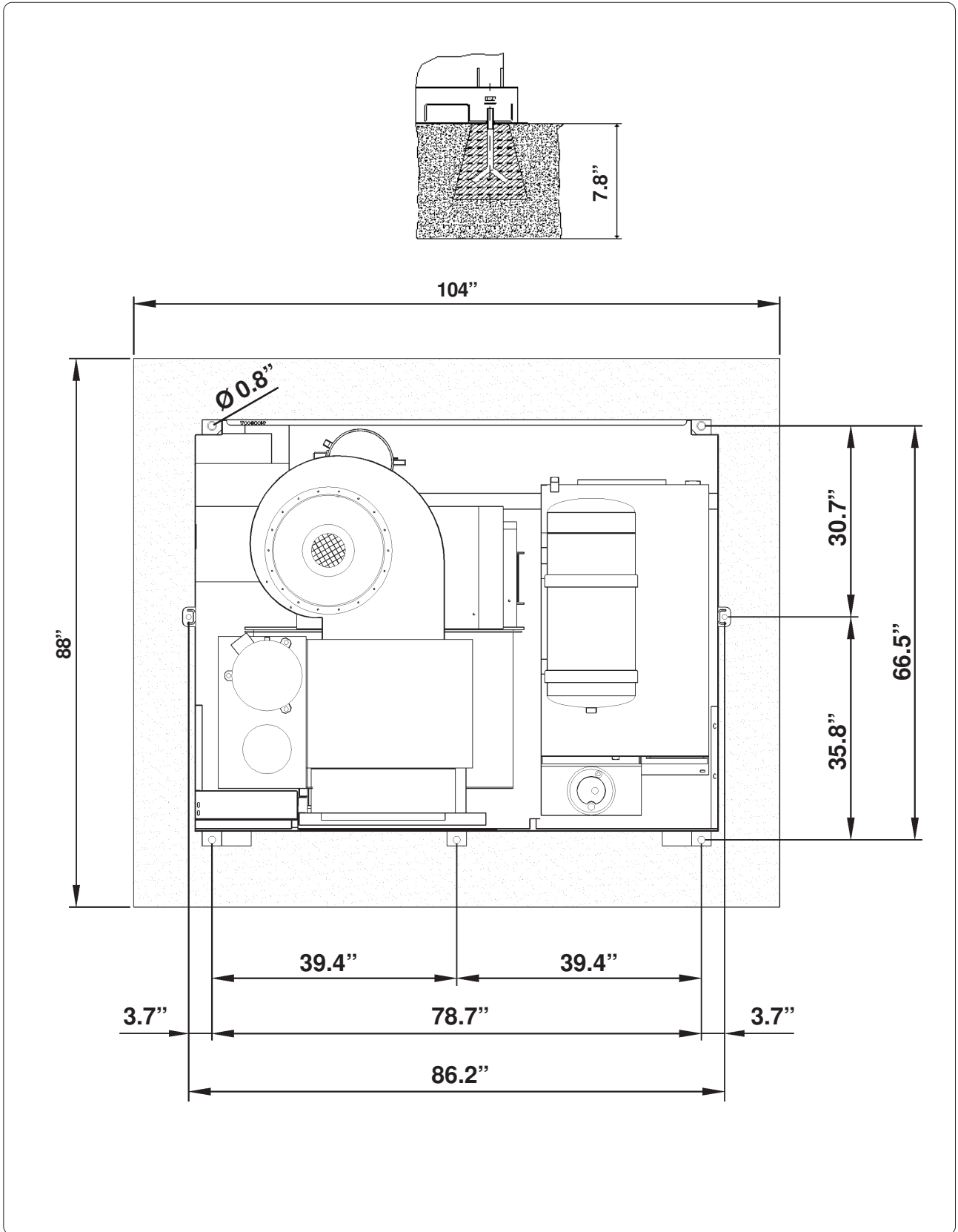
PACKAGED MACHINE DIMENSIONS AND WEIGHTS



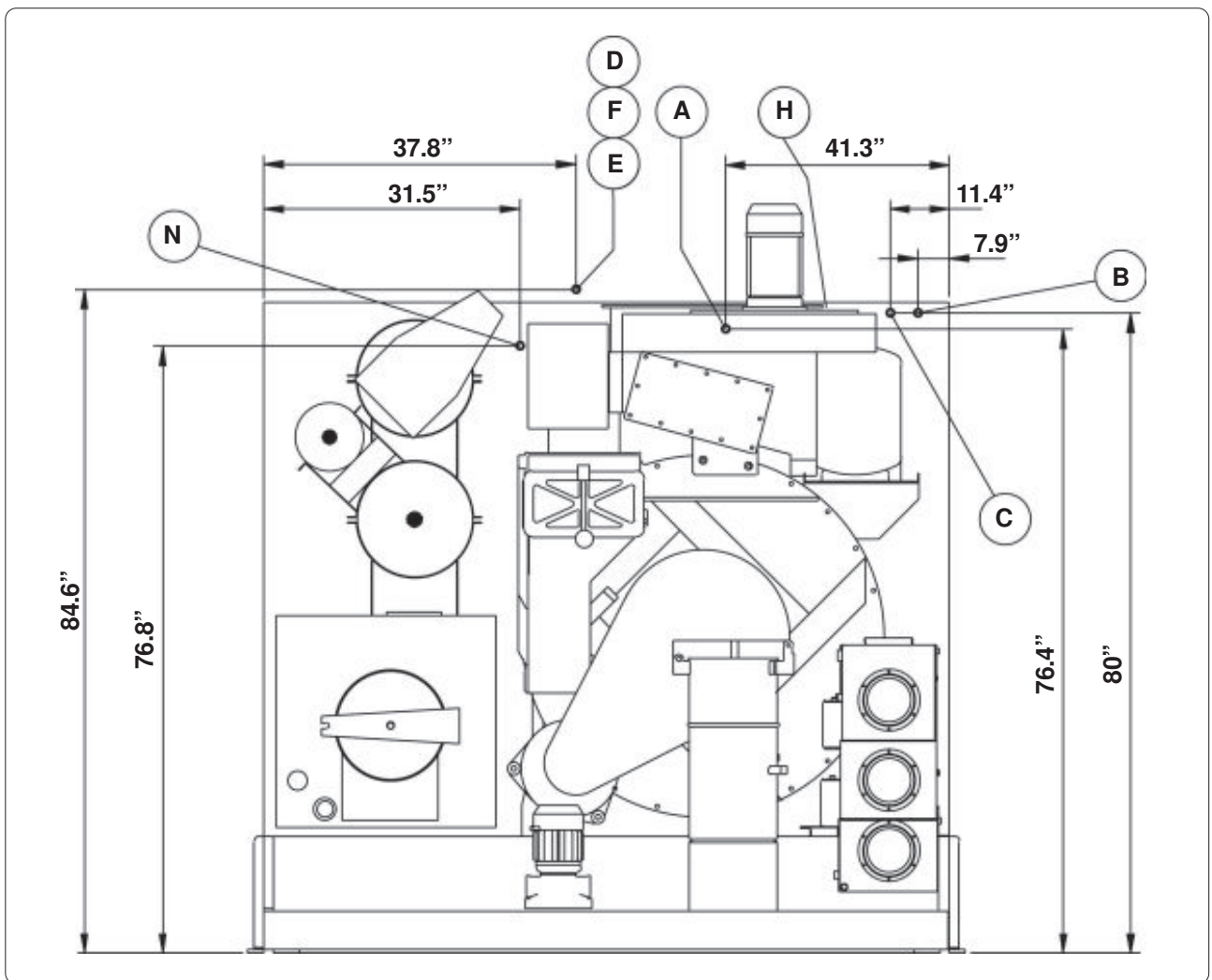
PACKAGED MACHINE DIMENSIONS				
Machine type		Carton	Wooden cage	Wooden case
HL 850 K	A	inches 88.2	inches 89.8	
	B	inches 78.3	inches 74.8	
	C	inches 96.1	inches 96.1	

PACKAGED MACHINE WEIGHTS				
Machine type		Carton	Wooden cage	Wooden case
HL 850 K		Lbs 4872	Lbs 4960	

FIXING POINTS



CONNECTIONS



A	Compressed air inlet	Ø 6 mm / 1/4"
B	Water inlet	Ø 1"
C	Water outlet	Ø 1"
D	Steam still inlet	Ø 1/2"
E	Condensate outlet	Ø 1/2"
F	Steam heater inlet	Ø 1/2"
-	-	-
H	Electric connection	
N	Nitrogen feeding connection (N ₂)	



SOLVENT TYPE	HYDROCARBON/ GREEN EARTH/ SOLVON K4			
NECESSARY QUANTITY OF SOLVENT TO FILL THE MACHINE				
Machine Version - 04	gal	180	Lbs	1155
Machine Version - 08	gal	164	Lbs	1054
Machine Version - 10	gal	186	Lbs	1197
Machine Version - 11	gal	184	Lbs	1180

INFORMATION FOR THE ELECTRICAL CONNECTIONS (220 V - 60 Hz)				
ELECTRIC Version	Kw	-	Amp	-
STEAM Version	Kw	14	Amp	70
Dissipated heat			Kcal	7135

GENERAL INFORMATION		
Required water capacity	gal/min	3
Required water pressure	psi	29 ÷ 44
Required water temperature	°F	65° ÷ 70°
Required air pressure	psi	100 ÷ 115
Required steam pressure (Steam Version)	psi	55 ÷ 70
Required steam availability (Steam Version)	Lbs/h	176

All technical data are subject to change without notice.