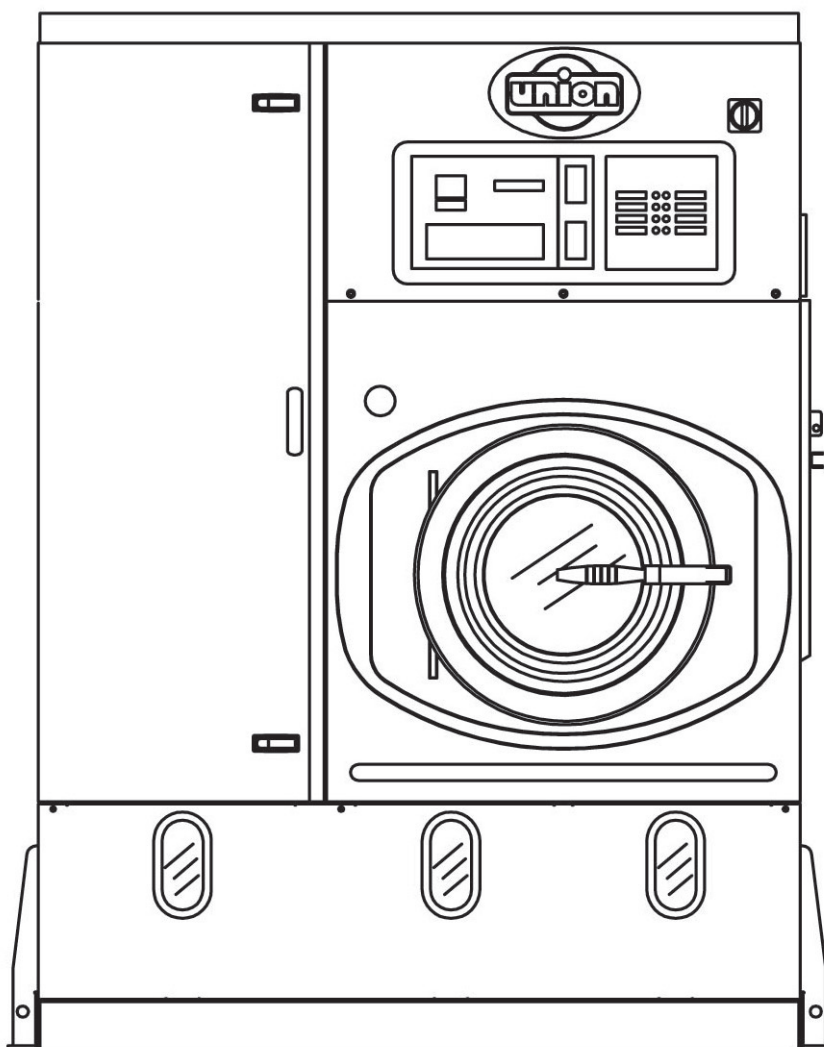




TECHNICAL INFORMATION



HXL 8015 S



WORKING MACHINE WITH SOLVENT	HYDROCARBON	
MACHINE CAPACITY	15 Kg	35 Lbs

BASKET		
Diameter	800 mm	31.5 inches
Depth	560 mm	22 inches
Volume	285 Lt	10.1 cu.ft
Wash speed	20 ÷ 55 rpm	
Extract speed	300 ÷ 500 rpm	
Door opening	500 mm	19.7 inches

SOLVENT TANKS		
Useful volume tank 1	105 Lt	28 gal
Useful volume tank 2	105 Lt	28 gal
Useful volume tank 3	120 Lt	32 gal
FLOOR SAFETY TANK CAPACITY	210 Lt	55.5 gal

STILL		
Useful volume at half inspection	145 Lt	38.3 gal
Total volume	180 Lt	47.6 gal
Boiler water capacity	4.6 Lt	1.2 gal

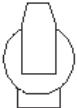
ELECTRIC POWER	400V - 3~50Hz		220V - 3~60Hz	
	Wash - Extract (With Inverter)	*0.8÷4 Hp	*0.6÷3 Kw	*0.8÷4 Hp
Solvent pump motor	0.75 Hp	0.55 Kw	0.75 Hp	0.55 Kw
Fan motor	2 Hp	1.5 Kw	2 Hp	1.5 Kw
Refrigerator compressor	3.35 Hp	2.5 Kw	3.35 Hp	2.5 Kw
Nylon filter motor	0.75 Hp	0.55 Kw	0.75 Hp	0.55 Kw
Vacuum pump motor	0.5 Hp	0.38 Kw	0.5 Hp	0.38 Kw
Still electric elements (Freon R134)	-	10.5 Kw	-	10.5 Kw
Still electric elements (Freon R404A)	-	12 Kw	-	12Kw
Air motor compressor (optional)	0.5 Hp	0.38 Kw	0.5 Hp	0.38 Kw

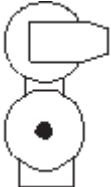
* POWER CHANGES ACCORDINGLY TO THE USE OF THE MACHINE


NOTE: Acoustic emission level of the machine is lower than 70 dB (A)




FILTRATION AVAILABLE IN THIS MODEL

ONE NYLON FILTER			
	Volume nylon filter housing	35 Lt	<i>9.2 gal</i>
	Nylon filter area	2.1 mt²	<i>22.6 ft²</i>
	Filter disks	14 nr	

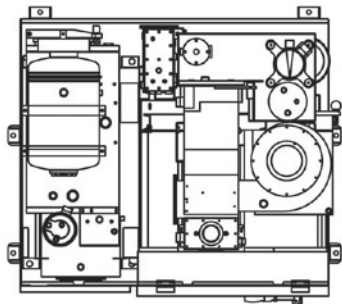
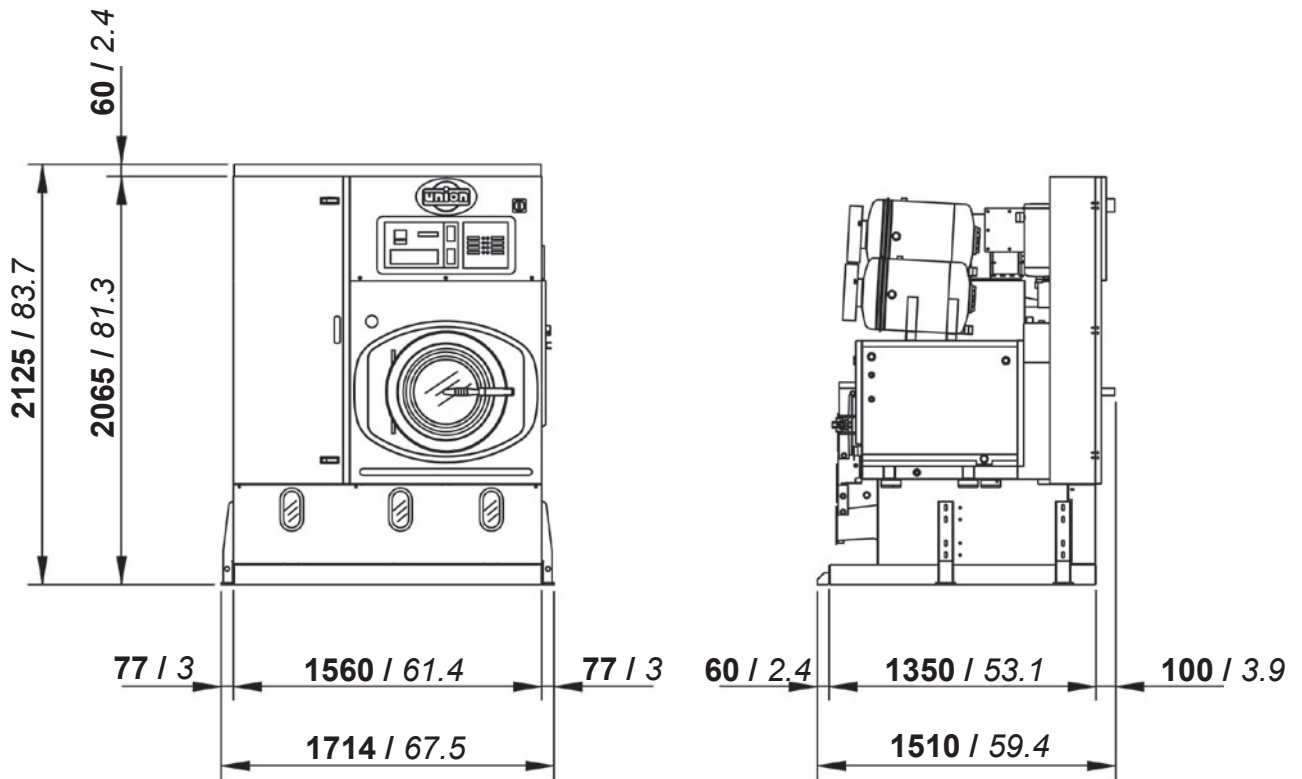
ONE NYLON FILTER AND ONE LARGE CARTRIDGE - KR			
	Volume nylon filter housing	35 Lt	<i>9.2 gal</i>
	Nylon filter area	2.1 mt²	<i>22.6 ft²</i>
	Filter disks	14 nr	
	Vol. large cartridge housing KR	35 Lt	<i>9.2 gal</i>
	Area large cartridge KR	2.6 mt²	<i>28 ft²</i>
	Cartridges quantity KR	nr 1	

TWO NYLON FILTER			
	Volume nylon filter housing	35x2=70 Lt	<i>9.2x2=18.4 gal</i>
	Nylon filter area	2.1x2=4.2 mt²	<i>22.6x2=45.2 ft²</i>
	Filter disks	14x2=28 nr	

ONE NYLON FILTER AND ONE DECOLORATING FILTER PR			
	Volume nylon filter housing	35 Lt	<i>9.2 gal</i>
	Nylon filter area	2.1 mt²	<i>22.6 ft²</i>
	Filter disks	14 nr	
	Decolorating housing volume PR	13 Lt	<i>3,4 gal</i>
	Decolorating cartridges	1 nr	
	Decolorating cabon quantity	2 kg	<i>4,4 Lbs</i>



DIMENSIONS AND WEIGHTS

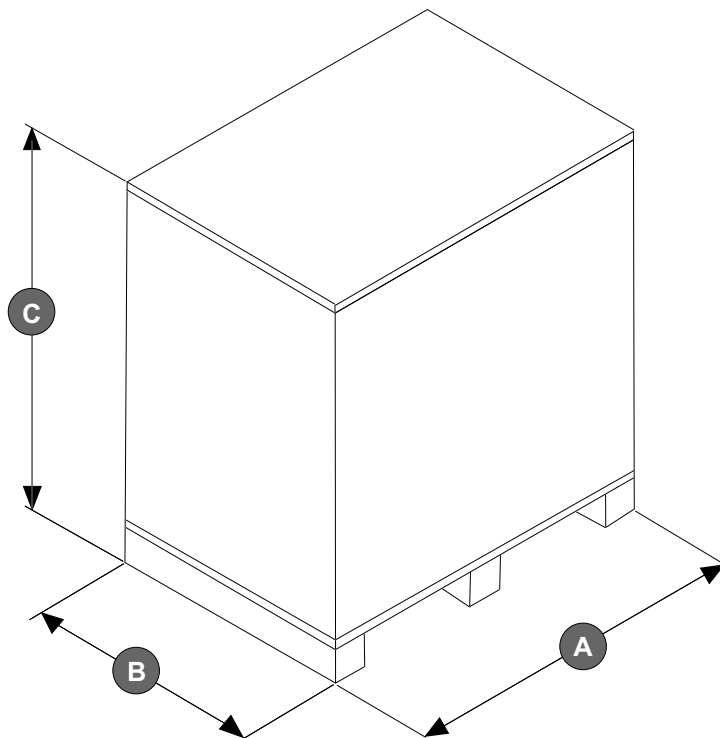


mm / inches

CHARGES		
Empty machine weight	1340 Kg	2954 Lbs
Machine weight with solvent	1650 Kg	3637 Lbs
Static charge on the floor with solvent	783 Kg/m²	160 Lbs/ft ²
Dynamic charge on the floor (+10%)	1130 Kg/m²	231 Lbs/ft ²



PACKAGED MACHINE DIMENSIONS AND WEIGHTS

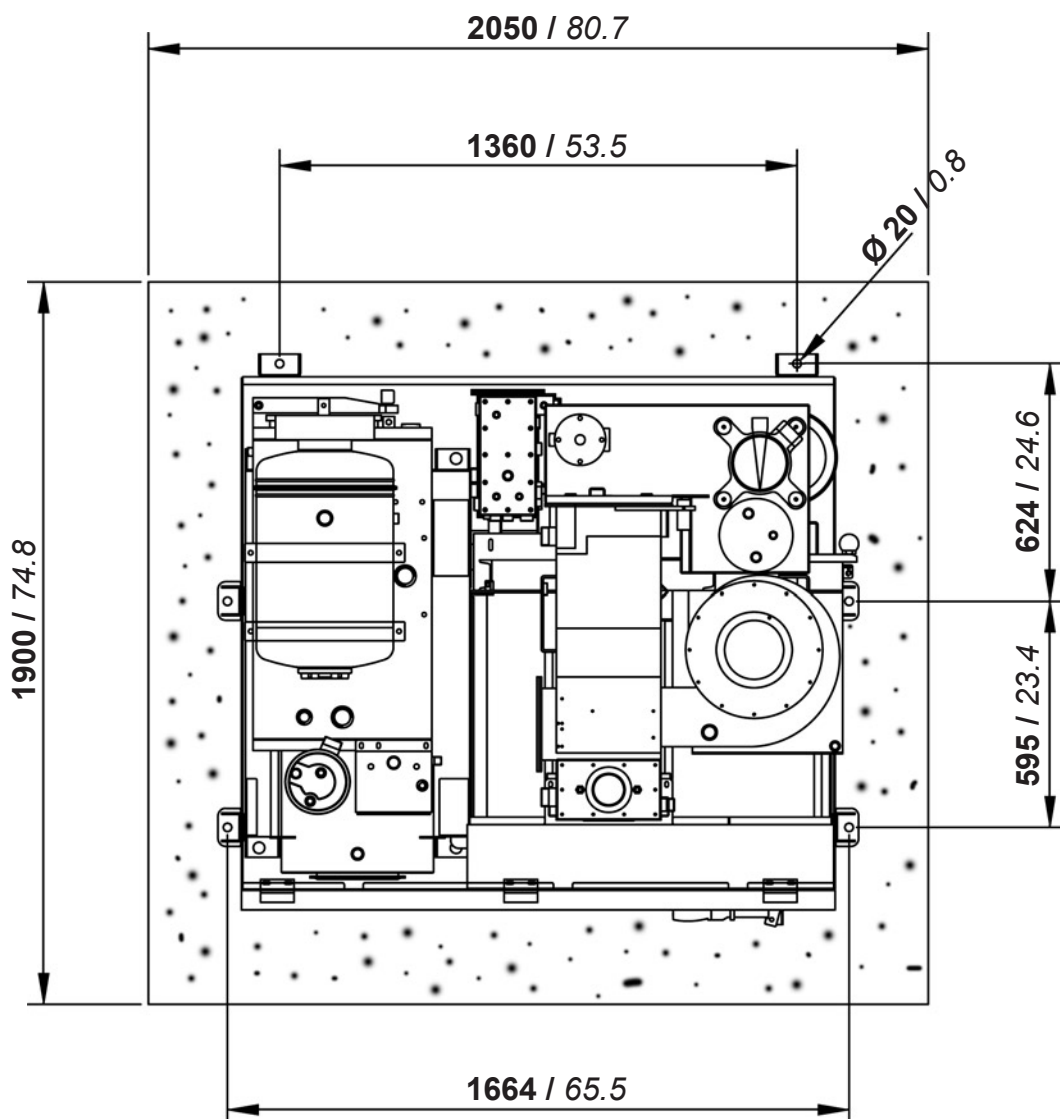
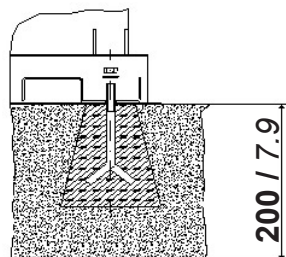


PACKAGED MACHINE DIMENSIONS							
Machine type		Carton		Wooden cage		Wooden case	
Standard	A	1760 mm	69.3 inches	- mm	- inches	- mm	- inches
	B	1580 mm	62.2 inches	- mm	- inches	- mm	- inches
	C	2245 mm	88.4 inches	- mm	- inches	- mm	- inches

PACKAGED MACHINE WEIGHTS							
Machine type		Carton		Wooden cage		Wooden case	
Standard		1430 Kg	3153 Lbs	- Kg	- Lbs	- Kg	- Lbs



FIXING POINTS

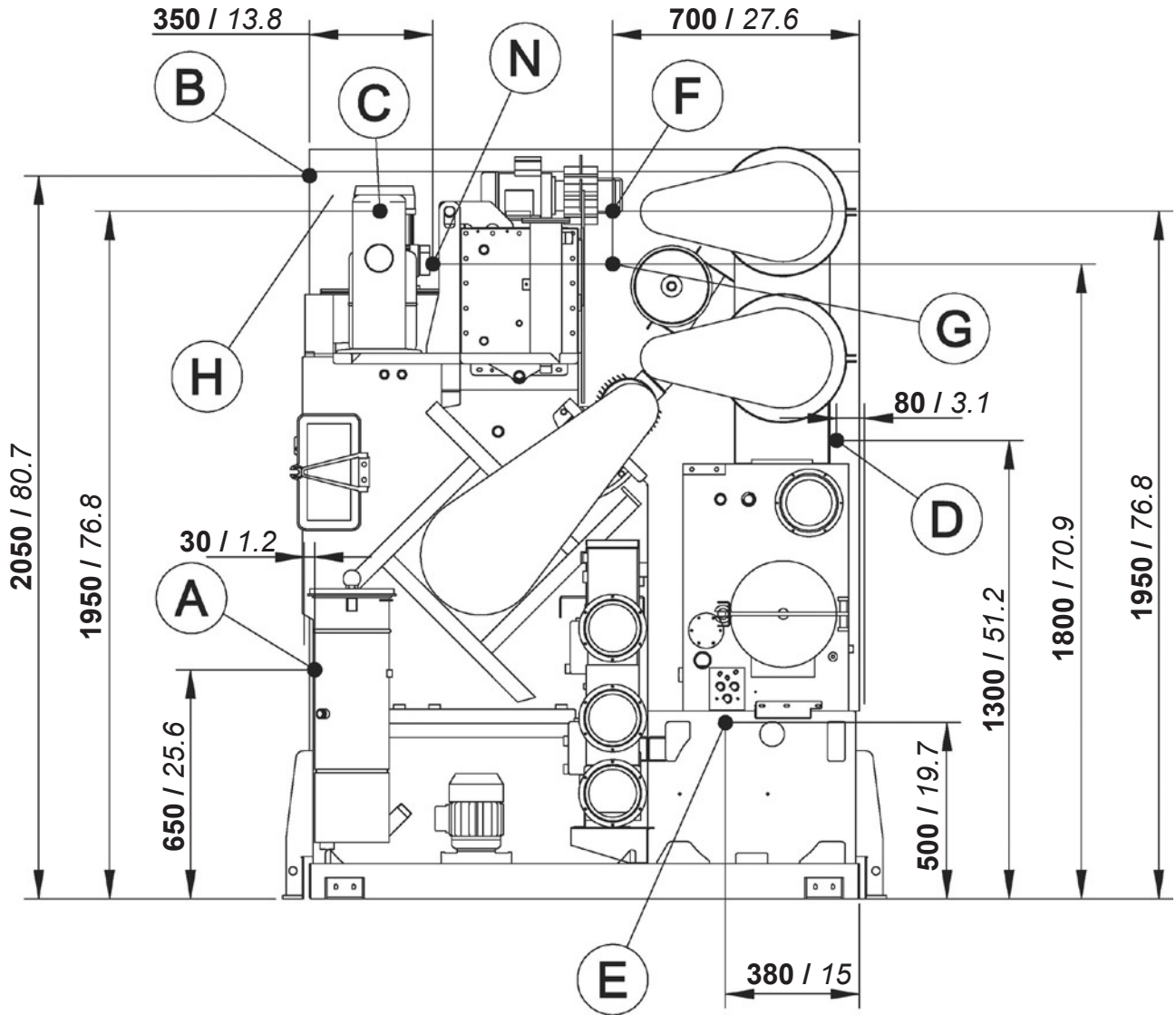


mm / inches





CONNECTIONS



mm / inches

A	Compressed air inlet	Ø 6mm	Ø 1/4"
B	Water inlet	Ø 3/4"	
C	Water outlet	Ø 3/4"	
D	Steam still inlet	Ø 1/2"	
E	Condensate still outlet	Ø 1/2"	
F	Steam heater inlet	Ø 1/2"	
G	Condensate heater outlet	Ø 1/2"	
H	Electric connection		
N	Nitrogen feeding connection (N ₂)		



SOLVENT TYPE	HYDROCARBON			
NECESSARY QUANTITY OF SOLVENT TO FILL THE MACHINE				
Machine version - without Filters	330 Lt	255 Kg	<i>87 gal</i>	<i>563 Lbs</i>
Machine version - 1 Nylon Filter	365 Lt	281 Kg	<i>96 gal</i>	<i>619 Lbs</i>
Machine version - 1 Nylon Filter + 1 KR	400 Lt	308 Kg	<i>106 gal</i>	<i>679 Lbs</i>
Machine version - 2 Nylon Filters	400 Lt	308 Kg	<i>106 gal</i>	<i>679 Lbs</i>
Machine version - 1 Nylon Filter + 1 Deco	378 Lt	291 Kg	<i>100 gal</i>	<i>641Lbs</i>

INFORMATION FOR THE ELECTRICAL CONNECTIONS (400V - 3~50Hz)		
ELECTRIC Version (<i>Freon R134</i>)	17 Kw	32 Amp
ELECTRIC Version (<i>Freon R404A</i>)	18.5 Kw	34 Amp
STEAM Version	6 Kw	18 Amp
Dissipated heat	3340 Kcal	

INFORMATION FOR THE ELECTRICAL CONNECTIONS (220V - 3~60Hz)		
ELECTRIC Version (<i>Freon R134</i>)	17 Kw	60 Amp
ELECTRIC Version (<i>Freon R404A</i>)	18.5 Kw	63 Amp
STEAM Version	6 Kw	30 Amp
Dissipated heat	3340 Kcal	

GENERAL INFORMATION		
Required water capacity	Lt/min 10	<i>gal/min 2.6</i>
Required water pressure	bar 2 ÷ 3	<i>psi 29 ÷ 44</i>
Required water temperature	°C 18 ÷ 23	<i>°F 65 ÷ 73</i>
Required air pressure	bar 7 ÷ 8	<i>psi 100 ÷ 115</i>
Required steam pressure (Steam Version)	bar 4 ÷ 5	<i>psi 55 ÷ 70</i>
Required steam availability	Kg/h 40	<i>Lbs/h 88</i>

All technical data are subject to change without notice.