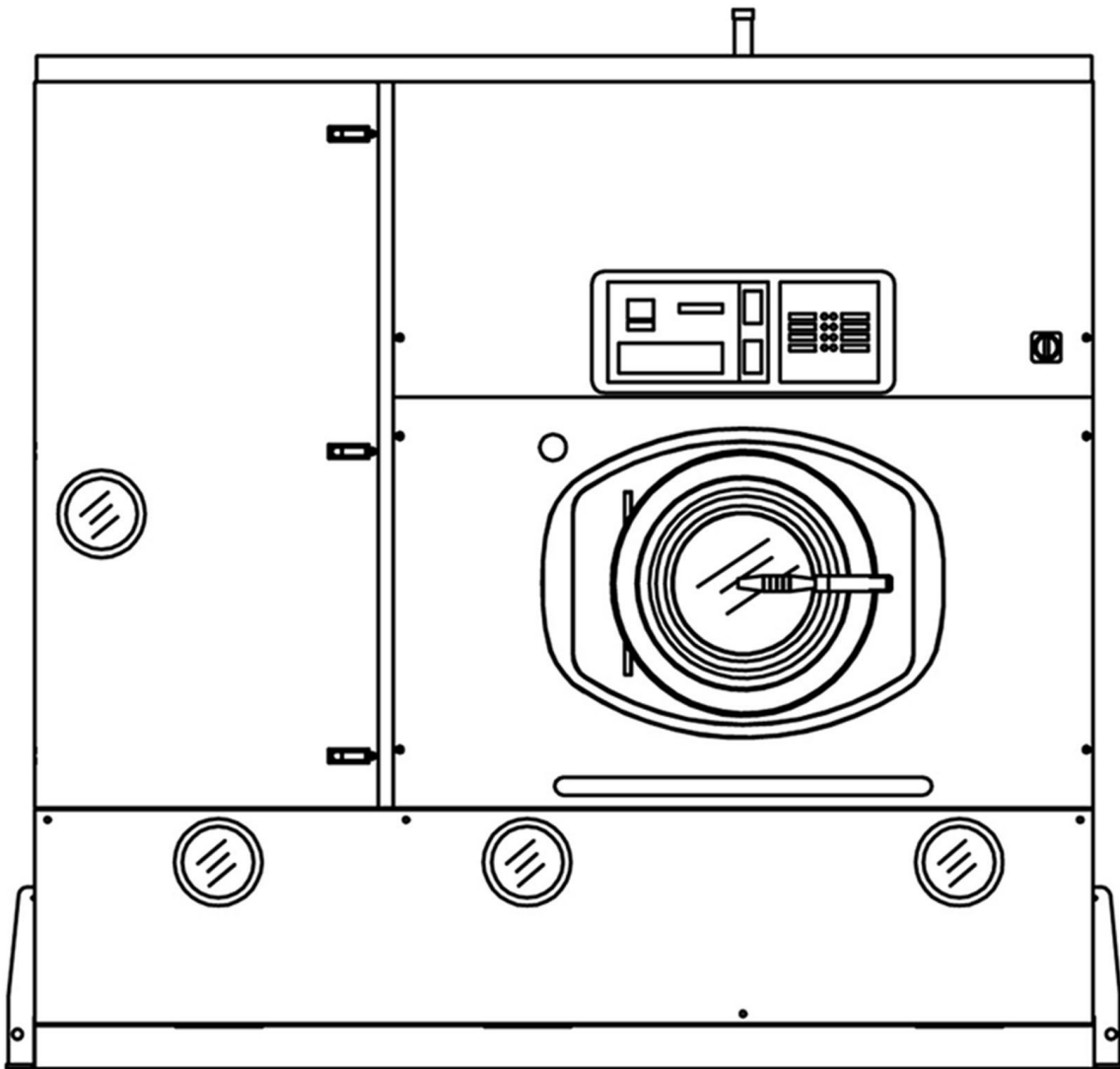




**TECHNICAL INFORMATION**



**HXL8032S-K**  
**MULTISOLVENT**



<b>MACHINE CAPACITY</b>	<b>32 Kg</b>	<b>70÷80 Lbs</b>
-------------------------	--------------	------------------

<b>BASKET</b>		
Diameter	<b>1200 mm</b>	<i>47.3 inches</i>
Depth	<b>570 mm</b>	<i>22.5 inches</i>
Volume	<b>645 Lt</b>	<i>22.8 cu.ft</i>
Wash speed	<b>20 ÷ 50 rpm</b>	
Extract speed	<b>300 ÷ 450 rpm</b>	
Door opening	<b>500 mm</b>	<i>20 inches</i>

<b>SOLVENT TANKS</b>		
Useful volume tank 1	<b>190 Lt</b>	<i>50 gal</i>
Useful volume tank 2	<b>190 Lt</b>	<i>50 gal</i>
Useful volume tank 3	<b>280 Lt</b>	<i>74 gal</i>
<b>FLOOR SAFETY TANK CAPACITY</b>	<b>410 Lt</b>	<i>108 gal</i>

<b>STILL</b>		
Useful volume at half inspection	<b>260 Lt</b>	<i>69 gal</i>
Total volume	<b>325 Lt</b>	<i>86 gal</i>
Boiler water capacity	<b>- Lt</b>	<i>- gal</i>

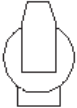
<b>ELECTRIC POWER</b>	<b>400V - 3~50Hz</b>		<b>220V - 3~60Hz</b>	
Wash - Extract (With Inverter)	<b>*8.1 Hp</b>	<b>*6.1 Kw</b>	<i>*8.1 Hp</i>	<i>*6.1 Kw</i>
Solvent pump motor	<b>1.5 Hp</b>	<b>1.1 Kw</b>	<i>1.5 Hp</i>	<i>1.1 Kw</i>
Fan motor	<b>4 Hp</b>	<b>3 Kw</b>	<i>5.5 Hp</i>	<i>4.13 Kw</i>
Refrigerator compressor	<b>7.5 Hp</b>	<b>5.66 Kw</b>	<i>9.6 Hp</i>	<i>7.2 Kw</i>
Nylon filter motor	<b>0.75 Hp</b>	<b>0.55 Kw</b>	<i>0.75 Hp</i>	<i>0.55 Kw</i>
Vacuum pump motor	<b>1 Hp</b>	<b>0.75 Kw</b>	<i>1.2 Hp</i>	<i>0.90 Kw</i>
Still electric elements	-	<b>12 Kw</b>	-	<i>12 Kw</i>
Heater electric elements	-	<b>12 Kw</b>	-	<i>12 Kw</i>
Air motor compressor (optional)	<b>0.5 Hp</b>	<b>0.38 Kw</b>	<i>0.5 Hp</i>	<i>0.38 Kw</i>

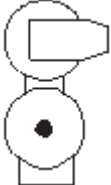
\* POWER CHANGES ACCORDINGLY TO THE USE OF THE MACHINE


NOTE: Acoustic emission level of the machine is lower than 70 dB (A)




**FILTRATION AVAILABLE IN THIS MODEL**

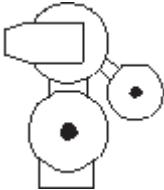
<b>ONE NYLON FILTER</b>			
	Volume nylon filter housing	<b>75 Lt</b>	<i>20 gal</i>
	Nylon filter area	<b>5.5 mt<sup>2</sup></b>	<i>59 ft<sup>2</sup></i>
	Filter disks	<b>39 nr</b>	

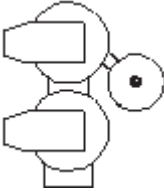
<b>ONE NYLON FILTER AND ONE LARGE CARTRIDGE - KR</b>			
	Volume nylon filter housing	<b>75 Lt</b>	<i>20 gal</i>
	Nylon filter area	<b>5.5 mt<sup>2</sup></b>	<i>59 ft<sup>2</sup></i>
	Filter disks	<b>39 nr</b>	
	Vol. large cartridge housing KR	<b>75 Lt</b>	<i>20 gal</i>
	Area large cartridge KR	<b>2.6x3=7.8 mt<sup>2</sup></b>	<i>28x3=84 ft<sup>2</sup></i>
	Cartridges quantity KR	<b>nr 3</b>	

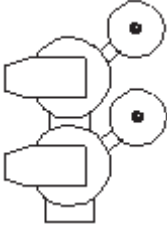
<b>TWO NYLON FILTER</b>			
	Volume nylon filter housing	<b>75x2=150 Lt</b>	<i>20+20=40 gal</i>
	Nylon filter area	<b>5,5x2=11 mt<sup>2</sup></b>	<i>59x2=118 ft<sup>2</sup></i>
	Filter disks	<b>39x2=78 nr</b>	

<b>ONE NYLON FILTER AND ONE DECOLORATING FILTER PR</b>			
	Volume nylon filter housing	<b>75 Lt</b>	<i>20 gal</i>
	Nylon filter area	<b>5.5 mt<sup>2</sup></b>	<i>59 ft<sup>2</sup></i>
	Filter disks	<b>39 nr</b>	
	Decolorating housing volume PR	<b>25 Lt</b>	<i>6.6 gal</i>
	Decolorating cartridges	<b>2 nr</b>	
	Decolorating cabon quantity	<b>4 kg</b>	<i>8.8 Lbs</i>



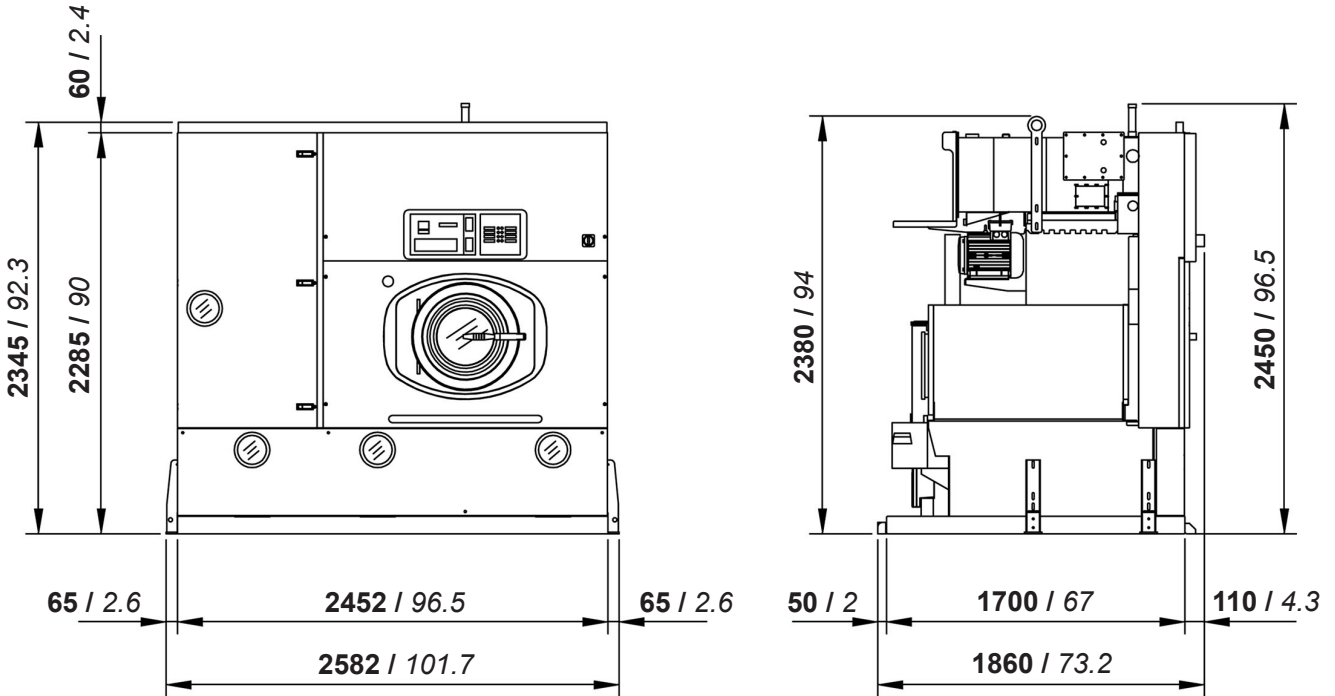
<b>ONE NYLON ONE CARTRIDGE -KR ONE DECOLORATING</b>			
	Volume nylon filter housing	<b>75 Lt</b>	<i>20 gal</i>
	Nylon filter area	<b>5.5 mt<sup>2</sup></b>	<i>59 ft<sup>2</sup></i>
	Filter disks	<b>39 nr</b>	
	Vol. large cartridge housing KR	<b>75 Lt</b>	<i>20 gal</i>
	Area large cartridge KR	<b>2.6x3=7.8 mt<sup>2</sup></b>	<i>28x3=84 ft<sup>2</sup></i>
	Cartridges quantity KR	<b>nr 3</b>	
	Decolorating housing volume	<b>25 Lt</b>	<i>6.6 gal</i>
	Tubes	<b>1 nr</b>	
	Decolorating cartridges	<b>2 nr</b>	
	Decolorating cabon quantity	<b>4 kg</b>	<i>8.8 Lbs</i>

<b>TWO NYLON FILTERS AND ONE DECOLORATING FILTER</b>			
	Volume nylon filter housing	<b>75x2=150 Lt</b>	<i>20+20=40 gal</i>
	Nylon filter area	<b>5,5x2=11 mt<sup>2</sup></b>	<i>59x2=118 ft<sup>2</sup></i>
	Filter disks	<b>39x2=78 nr</b>	
	Decolorating housing volume	<b>25 Lt</b>	<i>6.6 gal</i>
	Tubes	<b>1 nr</b>	
	Decolorating cartridges	<b>2 nr</b>	
	Decolorating cabon quantity	<b>4 kg</b>	<i>8.8 Lbs</i>

<b>TWO NYLON FILTER AND TWO DECOLORATING FILTER</b>			
	Volume nylon filter housing	<b>75x2=150 Lt</b>	<i>20+20=40 gal</i>
	Nylon filter area	<b>5,5x2=11 mt<sup>2</sup></b>	<i>59x2=118 ft<sup>2</sup></i>
	Filter disks	<b>39x2=78 nr</b>	
	Decolorating housing volume	<b>25x2=50 Lt</b>	<i>6.6x2=13.2gal</i>
	Tubes	<b>2 nr</b>	
	Decolorating cartridges	<b>2 nr</b>	
	Decolorating cabon quantity	<b>4+4=8 kg</b>	<i>8.8+8.8=17.6 Lbs</i>



**DIMENSIONS AND WEIGHTS**

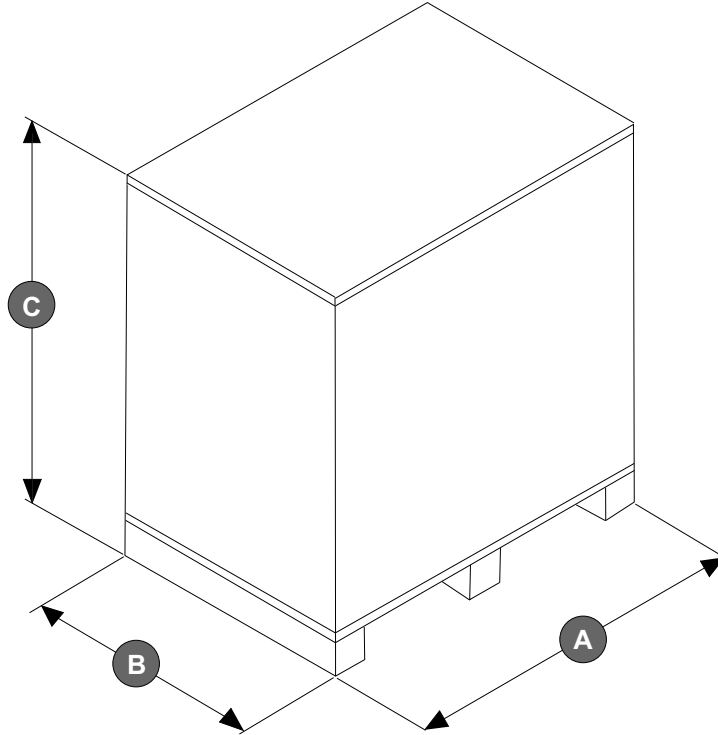


mm / inches

<b>CHARGES</b>		
Empty machine weight	<b>2700 Kg</b>	<b>5952 Lbs</b>
Machine weight with solvent	<b>3343 Kg</b>	<b>7370 Lbs</b>
Static charge on the floor with solvent	<b>802 Kg/m<sup>2</sup></b>	<b>154 Lbs/ft<sup>2</sup></b>
Dynamic charge on the floor (+10%)	<b>1234 Kg/m<sup>2</sup></b>	<b>253 Lbs/ft<sup>2</sup></b>



**PACKAGED MACHINE DIMENSIONS AND WEIGHTS**

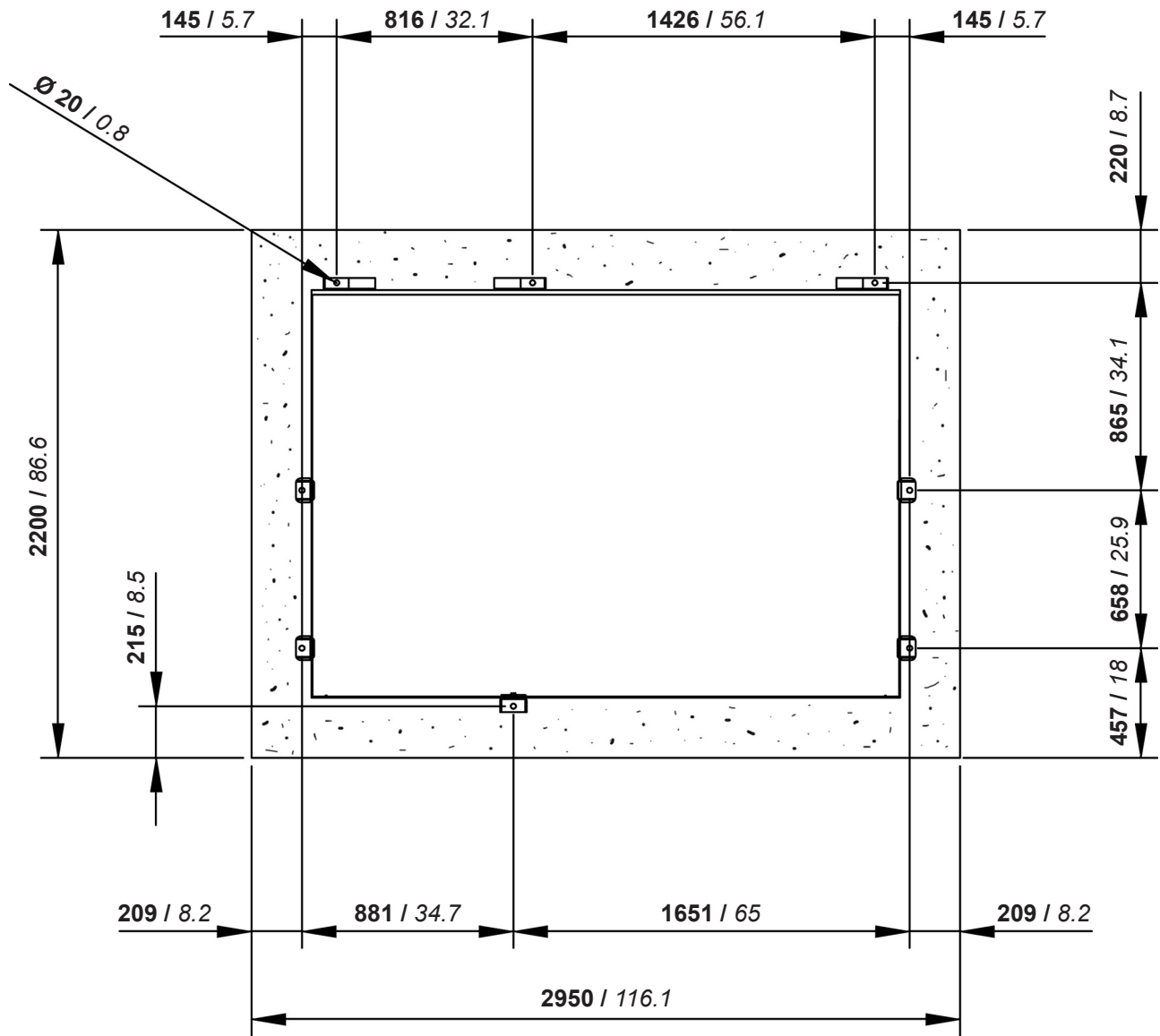
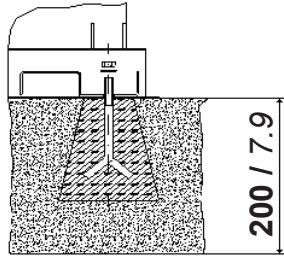


PACKAGED MACHINE DIMENSIONS							
Machine type		Carton		Wooden cage		Wooden case	
<b>Standard</b>	<b>A</b>	- mm	- inches	- mm	- inches	- mm	- inches
	<b>B</b>	- mm	- inches	- mm	- inches	- mm	- inches
	<b>C</b>	- mm	- inches	- mm	- inches	- mm	- inches

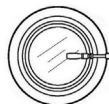
PACKAGED MACHINE WEIGHTS						
Machine type	Carton		Wooden cage		Wooden case	
<b>Standard</b>	- Kg	- Lbs	- Kg	- Lbs	- Kg	- Lbs



FIXING POINTS



mm / inches





**CONNECTIONS**

<b>A</b>	Compressed air inlet	<b>Ø 6mm</b>	<b>Ø 1/4"</b>
<b>B</b>	Water inlet	<b>Ø 3/4"</b>	
<b>C</b>	Water outlet	<b>Ø 3/4"</b>	
<b>D</b>	Steam still inlet	<b>Ø 1/2"</b>	
<b>E</b>	Condensate still outlet	<b>Ø 1/2"</b>	
<b>F</b>	Steam heater inlet	<b>Ø 1/2"</b>	
<b>G</b>	Condensate heater outlet	<b>Ø 1/2"</b>	
<b>H</b>	Electric connection		
<b>N</b>	Nitrogen feeding connection (N <sub>2</sub> )		





NECESSARY QUANTITY OF SOLVENT TO FILL THE MACHINE				
Machine version - without Filters	<b>660 Lt</b>	<b>508 Kg</b>	<i>174 gal</i>	<i>1120 Lbs</i>
Machine version - 1 Nylon Filter	<b>735 Lt</b>	<b>566 Kg</b>	<i>194 gal</i>	<i>1248 Lbs</i>
Machine version - 1 Nylon Filter + 1 KR	<b>810 Lt</b>	<b>624 Kg</b>	<i>214 gal</i>	<i>1376 Lbs</i>
Machine version - 2 Nylon Filters	<b>810 Lt</b>	<b>624 Kg</b>	<i>214 gal</i>	<i>1376 Lbs</i>
Machine version - 1 Nylon Filter + 1 Deco	<b>760 Lt</b>	<b>585 Kg</b>	<i>201 gal</i>	<i>1290 Lbs</i>
Machine version - 1 Nylon Filter + 1 KR + 1 Deco	<b>835 Lt</b>	<b>643 Kg</b>	<i>221 gal</i>	<i>1418 Lbs</i>
Machine version - 2 Nylon Filters + 1 Deco	<b>835 Lt</b>	<b>643 Kg</b>	<i>221 gal</i>	<i>1418 Lbs</i>
Machine version - 2 Nylon Filters + 2 Deco	<b>860 Lt</b>	<b>662 Kg</b>	<i>227 gal</i>	<i>1460 Lbs</i>

INFORMATION FOR THE ELECTRICAL CONNECTIONS (400V - 3~50Hz)		
ELECTRIC Version	<b>41 Kw</b>	<b>82 Amp</b>
STEAM Version	<b>17 Kw</b>	<b>45 Amp</b>
Dissipated heat	<b>- Kcal</b>	

INFORMATION FOR THE ELECTRICAL CONNECTIONS (220V - 3~60Hz)		
ELECTRIC Version	<b>- Kw</b>	<b>- Amp</b>
STEAM Version	<b>19.5 Kw</b>	<b>65 Amp</b>
Dissipated heat	<b>- Kcal</b>	

GENERAL INFORMATION		
Required water capacity	<b>10 Lt/min</b>	<i>2.6 gal/min</i>
Required water pressure	<b>2 ÷ 3 bar</b>	<i>29 ÷ 44 psi</i>
Required water temperature	<b>18 ÷ 23 °C</b>	<i>65 ÷ 73 °F</i>
Required air pressure	<b>7 ÷ 8 bar</b>	<i>100 ÷ 115 psi</i>
Required steam still pressure ( <i>Solvon K4</i> )	<b>2.5 bar</b>	<i>36 psi</i>
Required steam heater pressure ( <i>Kwl-GE-KTEX</i> )	<b>4 ÷ 5 bar</b>	<i>55 ÷ 72 psi</i>
Required steam* availability (Steam Version)	<b>90 Kg/h</b>	<i>198 Lbs/h</i>

\* Relative values of dry saturated steam.

All technical data are subject to change without notice.