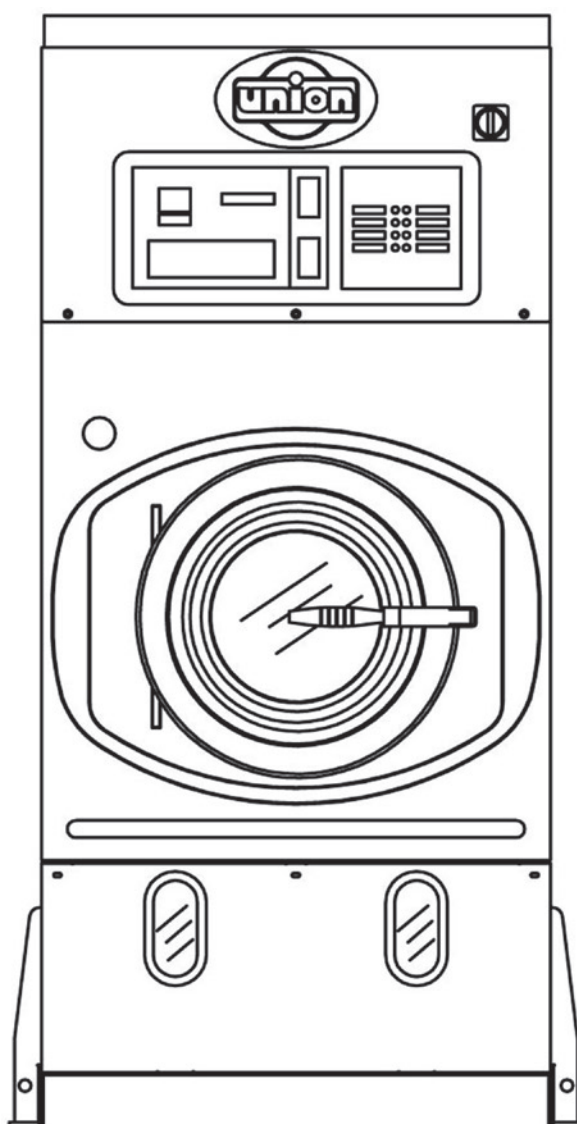




## TECHNICAL INFORMATION



# HXP8015-K



<b>WORKING MACHINE WITH SOLVENT</b>	<b>HYDROCARBON / GREEN EARTH / SOLVON K4</b>	
<b>MACHINE CAPACITY</b>	<b>15 Kg</b>	<b>35 Lbs</b>

<b>BASKET</b>		
Diameter	<b>800 mm</b>	<i>31.5 inches</i>
Depth	<b>560 mm</b>	<i>22 inches</i>
Volume	<b>285 Lt</b>	<i>10.1 cu.ft</i>
Wash speed	<b>20 ÷ 55 rpm</b>	
Extract speed	<b>300 ÷ 500 rpm</b>	
Door opening	<b>500 mm</b>	<i>19.7 inches</i>

<b>SOLVENT TANKS</b>		
Useful volume tank 1	<b>105 Lt</b>	<i>28 gal</i>
Useful volume tank 2	<b>105 Lt</b>	<i>28 gal</i>
Useful volume tank 3	-	-
<b>FLOOR SAFETY TANK CAPACITY</b>	<b>180 Lt</b>	<i>47.6 gal</i>

<b>STILL</b>		
Useful volume at half inspection	<b>144 Lt</b>	<i>38 gal</i>
Total volume	<b>164 Lt</b>	<i>43.3 gal</i>
Boiler water capacity	<b>4 Lt</b>	<i>1.1 gal</i>

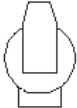
<b>ELECTRIC POWER</b>	<b>400V - 3~50Hz</b>		<b>220V - 3~60Hz</b>	
Wash - Extract (With Inverter)	<b>*0.8÷4 Hp</b>	<b>*0.6÷3 Kw</b>	<i>*0.8÷4 Hp</i>	<i>*0.6÷3 Kw</i>
Solvent pump motor	<b>0.75 Hp</b>	<b>0.55 Kw</b>	<i>0.75 Hp</i>	<i>0.55 Kw</i>
Fan motor	<b>2 Hp</b>	<b>1.5 Kw</b>	<i>2 Hp</i>	<i>1.5 Kw</i>
Refrigerator compressor (Bristoll)	<b>3.35 Hp</b>	<b>2.5 Kw</b>	<i>3.35 Hp</i>	<i>2.5 Kw</i>
Nylon filter motor	<b>0.75 Hp</b>	<b>0.55 Kw</b>	<i>0.75 Hp</i>	<i>0.55 Kw</i>
Vacuum pump motor	<b>0.5 Hp</b>	<b>0.38 Kw</b>	<i>0.5 Hp</i>	<i>0.38 Kw</i>
Still electric elements	-	<b>9 Kw</b>	-	<i>9 Kw</i>
Heater electric elements	-	<b>9 Kw</b>	-	<i>9 Kw</i>
Air motor compressor (optional)	<b>0.5 Hp</b>	<b>0.38 Kw</b>	-	-
Button trap drying blower	<b>0.75 Hp</b>	<b>0.55 Kw</b>	<i>0.75 Hp</i>	<i>0.55 Kw</i>


\* POWER CHANGES ACCORDINGLY TO THE USE OF THE MACHINE


NOTE: Acoustic emission level of the machine is lower than 70 dB (A)




**FILTRATION AVAILABLE IN THIS MODEL**

<b>ONE NYLON FILTER</b>			
	Volume nylon filter housing	<b>35 Lt</b>	<i>9.2 gal</i>
	Nylon filter area	<b>2.1 mt<sup>2</sup></b>	<i>22.6 ft<sup>2</sup></i>
	Filter disks	<b>14 nr</b>	

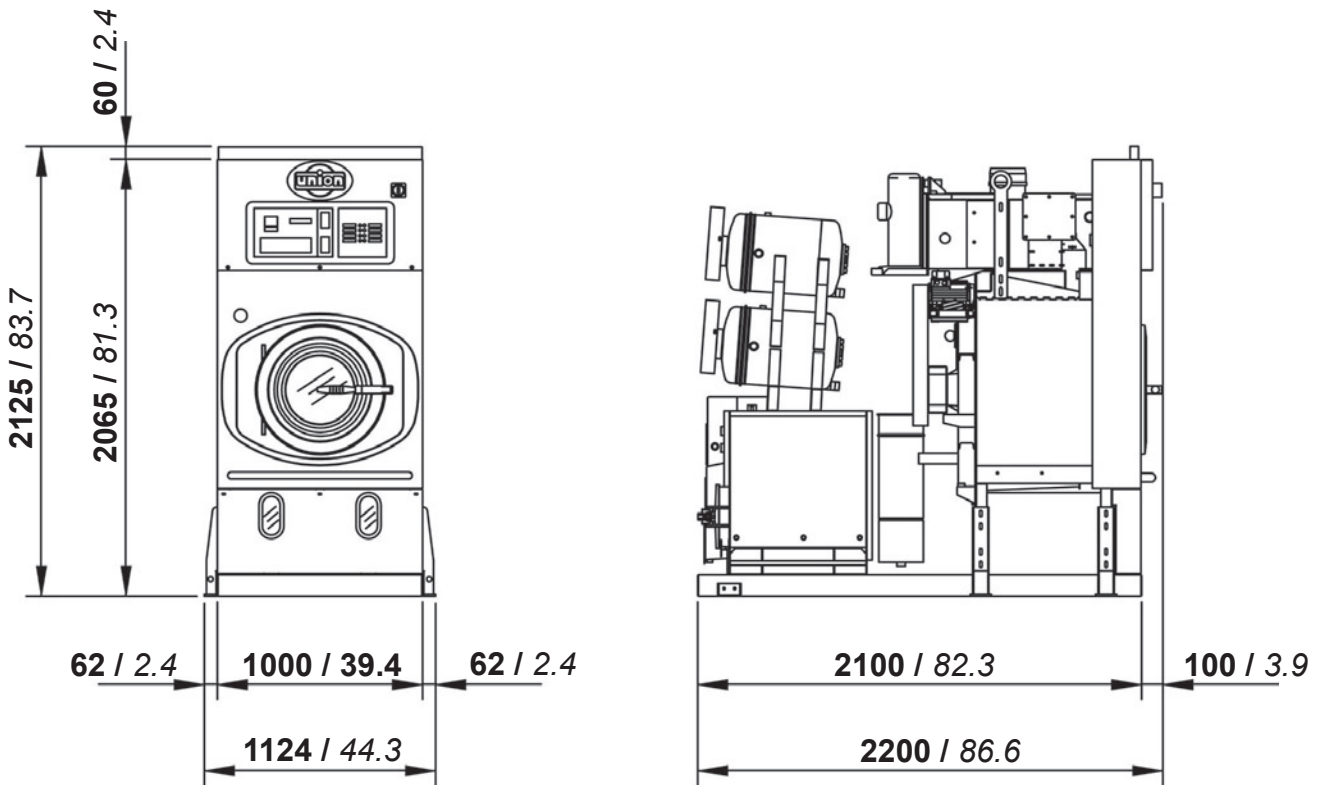
<b>ONE NYLON FILTER AND ONE LARGE CARTRIDGE - KR</b>			
	Volume nylon filter housing	<b>35 Lt</b>	<i>9.2 gal</i>
	Nylon filter area	<b>2.1 mt<sup>2</sup></b>	<i>22.6 ft<sup>2</sup></i>
	Filter disks	<b>14 nr</b>	
	Vol. large cartridge housing KR	<b>35 Lt</b>	<i>9.2 gal</i>
	Area large cartridge KR	<b>2.6 mt<sup>2</sup></b>	<i>28 ft<sup>2</sup></i>
	Cartridges quantity KR	<b>nr 1</b>	

<b>TWO NYLON FILTER</b>			
	Volume nylon filter housing	<b>35x2=70 Lt</b>	<i>9.2x2=18.4 gal</i>
	Nylon filter area	<b>2.1x2=4.2 mt<sup>2</sup></b>	<i>22.6x2=45.2 ft<sup>2</sup></i>
	Filter disks	<b>14x2=28 nr</b>	

<b>ONE NYLON FILTER AND ONE DECOLORATING FILTER PR</b>			
	Volume nylon filter housing	<b>35 Lt</b>	<i>9.2 gal</i>
	Nylon filter area	<b>2.1 mt<sup>2</sup></b>	<i>22.6 ft<sup>2</sup></i>
	Filter disks	<b>14 nr</b>	
	Decolorating housing volume PR	<b>13 Lt</b>	<i>3.4 gal</i>
	Decolorating cartridges	<b>1 nr</b>	
	Decolorating cabon quantity	<b>2 kg</b>	<i>4.4 Lbs</i>



**DIMENSIONS AND WEIGHTS**

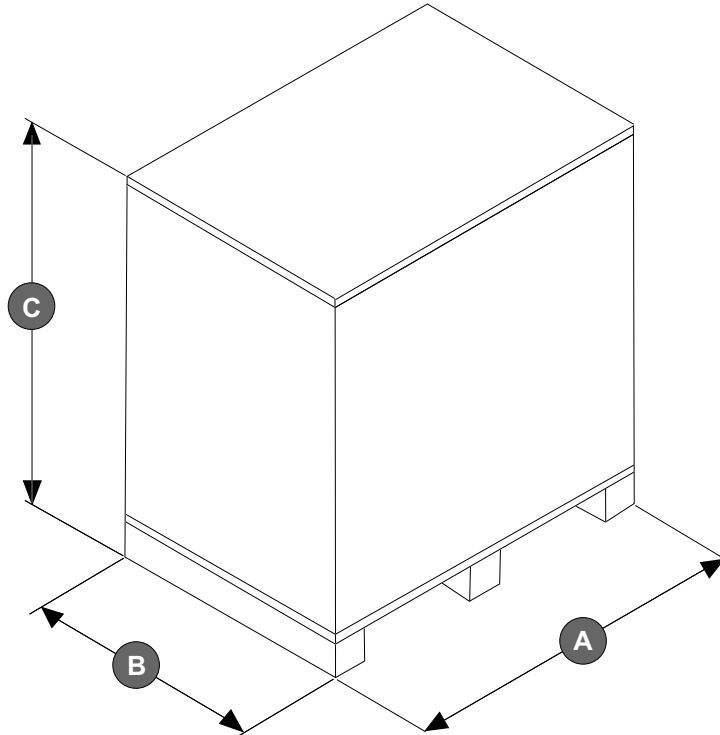


mm / inches

<b>CHARGES</b>		
Empty machine weight	<b>1220 Kg</b>	2690 Lbs
Machine weight with solvent	<b>1435 Kg</b>	3164 Lbs
Static charge on the floor with solvent	<b>705 Kg/m<sup>2</sup></b>	144 Lbs/ft <sup>2</sup>
Dynamic charge on the floor (+10%)	<b>1055 Kg/m<sup>2</sup></b>	216 Lbs/ft <sup>2</sup>



**PACKAGED MACHINE DIMENSIONS AND WEIGHTS**

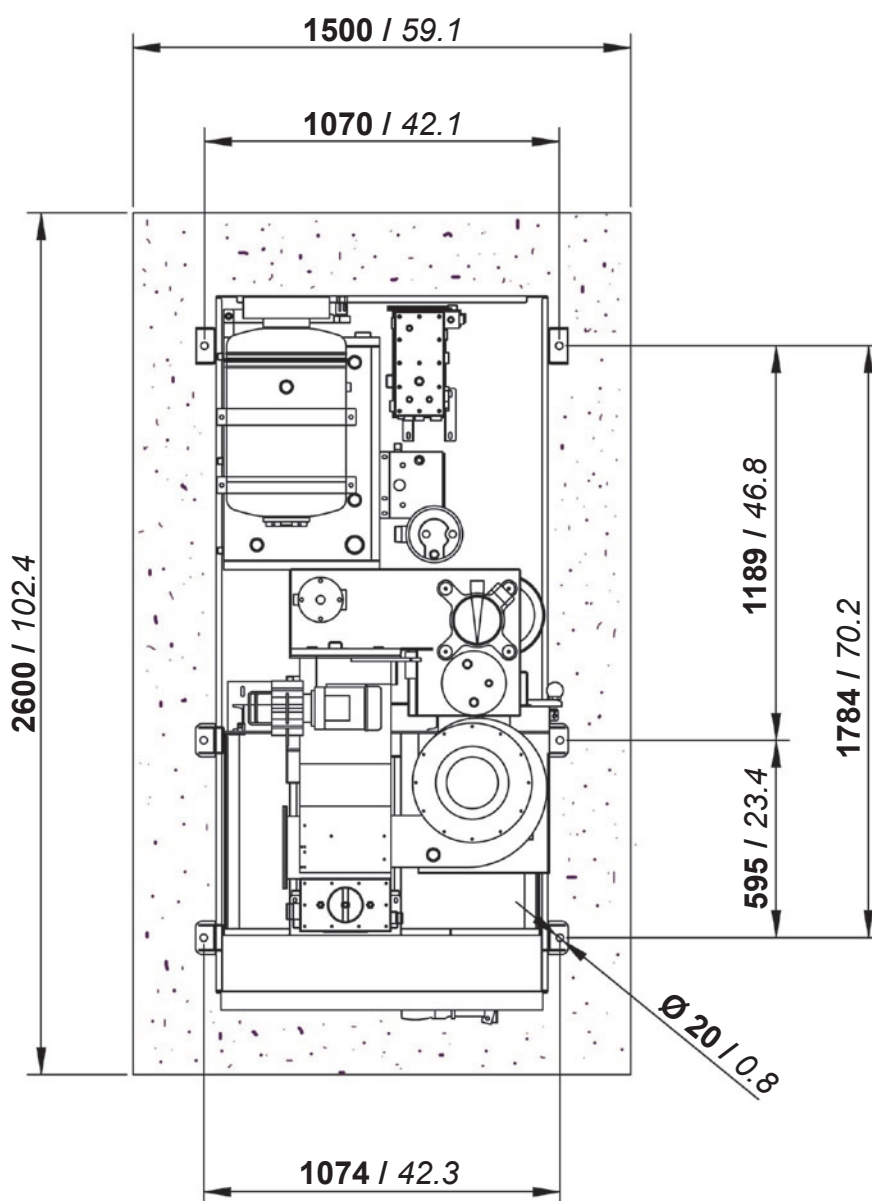
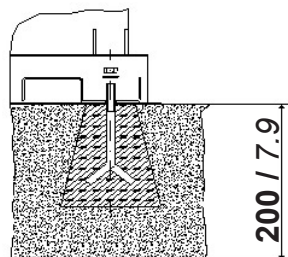


PACKAGED MACHINE DIMENSIONS							
Machine type	Carton		Wooden cage		Wooden case		
<b>Standard</b>	<b>A</b>	2280 mm	89.8 inches	- mm	- inches	- mm	- inches
	<b>B</b>	1160 mm	45.7 inches	- mm	- inches	- mm	- inches
	<b>C</b>	2245 mm	88.4 inches	- mm	- inches	- mm	- inches

PACKAGED MACHINE WEIGHTS						
Machine type	Carton		Wooden cage		Wooden case	
<b>Standard</b>	1310 Kg	2888 Lbs	- Kg	- Lbs	- Kg	- Lbs



FIXING POINTS

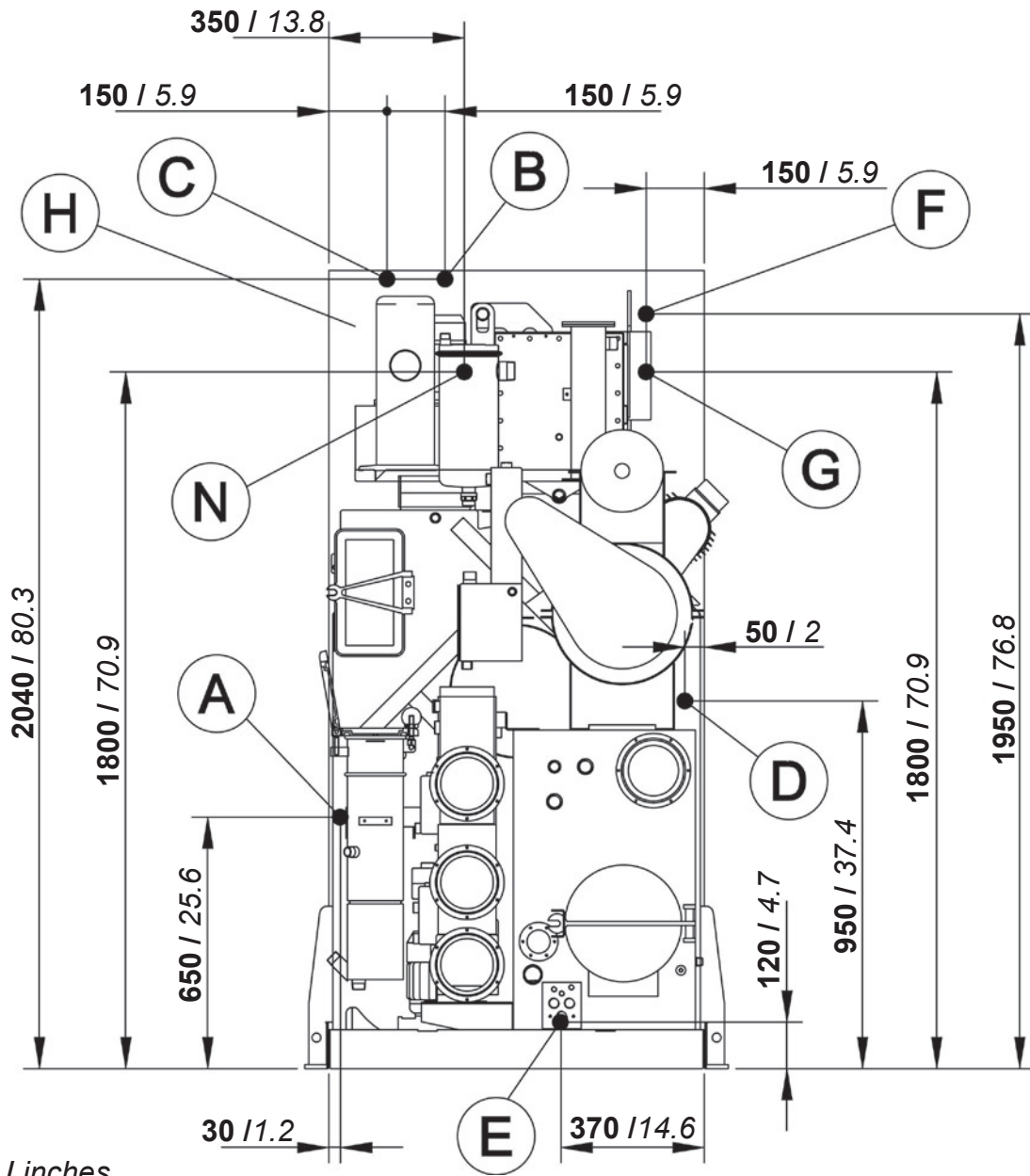


mm / inches





CONNECTIONS



mm / inches

A	Compressed air inlet	Ø 6mm	Ø 1/4"
B	Water inlet	Ø 3/4"	
C	Water outlet	Ø 3/4"	
D	Steam still inlet	Ø 1/2"	
E	Condensate still outlet	Ø 1/2"	
F	Steam heater inlet	Ø 1/2"	
G	Condensate heater outlet	Ø 1/2"	
H	Electric connection		
N	Nitrogen feeding connection (N <sub>2</sub> )		



SOLVENT TYPE	HYDROCARBON / GREEN EARTH / SOLVON K4			
NECESSARY QUANTITY OF SOLVENT TO FILL THE MACHINE				
Machine version - without Filters	210 Lt	162 Kg	55.5 gal	357 Lbs
Machine version - 1 Nylon Filter	245 Lt	189 Kg	65 gal	417 Lbs
Machine version - 1 Nylon Filter + 1 KR	280 Lt	216 Kg	74 gal	476 Lbs
Machine version - 2 Nylon Filters	280 Lt	216 Kg	74 gal	476 Lbs
Machine version - 1 Nylon Filter + 1 Deco	258 Lt	199 Kg	68 gal	439 Lbs

INFORMATION FOR THE ELECTRICAL CONNECTIONS (400V - 3~50Hz)		
ELECTRIC Version	24 Kw	40 Amp
STEAM Version	6.5 Kw	19 Amp
Dissipated heat	4334 Kcal	

INFORMATION FOR THE ELECTRICAL CONNECTIONS (220V - 3~60Hz)		
ELECTRIC Version	- Kw	- Amp
STEAM Version	6.5 Kw	32 Amp
Dissipated heat	- Kcal	

GENERAL INFORMATION		
Required water capacity	10 Lt/min	2.6 gal/min
Required water pressure	2 ÷ 3 bar	29 ÷ 44 psi
Required water temperature	18 ÷ 23 °C	65 ÷ 73 °F
Required air pressure	7 ÷ 8 bar	100 ÷ 115 psi
Required steam still pressure (Steam Version)	2.5 bar	36 psi
Required steam heater pressure (Steam Version)	4 ÷ 5 bar	55 ÷ 72 psi
Required steam* availability (Steam Version)	40 Kg/h	88 Lbs/h

\* Relative values of dry saturated steam.

All technical data are subject to change without notice.